






-  CHROME
-  BRUSHED CHROME
-  MATTE BLACK

HYDROTAP® CLASSIC FOR HOME*

CHILLED | SPARKLING

Elevate your drinking water and save space in your fridge with the iconic design of the HydroTap Classic CS and get on-demand sparkling and chilled still water at home or at work*. Unbottle the future. Choose sustainable hydration with HydroTap by Zip Water - the world's most advanced drinking water system.

*For home or small office (maximum office size = 10 people)

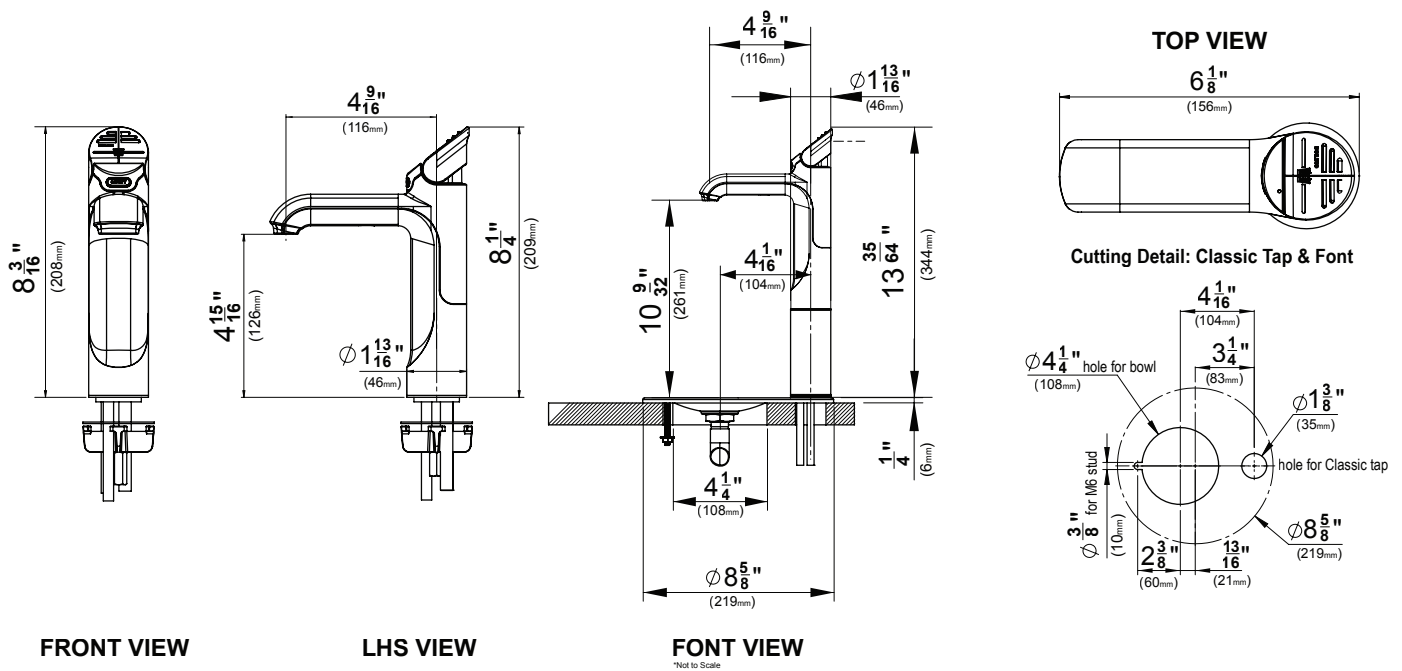
HYDROTAP® CLASSIC FOR HOME

CHILLED | SPARKLING



TAP SPECS

| | |
|---------------------------|--|
| Style | HydroTap Classic for Home or Small Office* |
| Hole Size | 1 3/8" |
| Available Finishes | Chrome, Brushed Chrome & Matte Black |
| Installation | Over Sink or On Drip Tray (optional font sold separately - see below for product code) |
| Flow rate | Max 1.8gpm |
| Sparkling Water Flow Rate | 0.36gpm |



MODEL NUMBERS (CONSULT LOCAL DEALER FOR PRODUCT CODES)

| | |
|------------------|--------------------------|
| CLASSICCS120V-CH | Classic (Chrome) |
| CLASSICCS120V-BC | Classic (Brushed Chrome) |
| CLASSICCS120V-MB | Classic (Matte Black) |

PRODUCT CODES FOR OPTIONAL FONTS

| | |
|----------|--|
| 01034266 | Drip Tray, Classic Font (Chrome) |
| 01034267 | Drip Tray, Classic Font (Brushed Chrome) |
| 01034268 | Drip Tray, Classic Font (Matte Black) |

PRODUCT CODES FOR ACCESSORIES

| | | | |
|----------|---|----------|---|
| 01034276 | Filter, Zip, 0.2 Micron, 1 Size - 93701 | 01034347 | Zip 2 x 1.5lb CO ₂ refillable/recyclable cylinders |
| 01034277 | Filter, Zip, 0.2 Micron, 1.5 Size - 93702 | 01034348 | Zip 1 x 5lb CO ₂ refillable/recyclable cylinders |
| 01034278 | Filter, Zip, 3 Micron, 1.5 Size - 93703 | 01034349 | Zip CO ₂ Regulator |
| 01037874 | External Scale Installation Kit (includes filter) | 01037868 | External Scale Filter |

*For home or small office (maximum office size = 10 people)

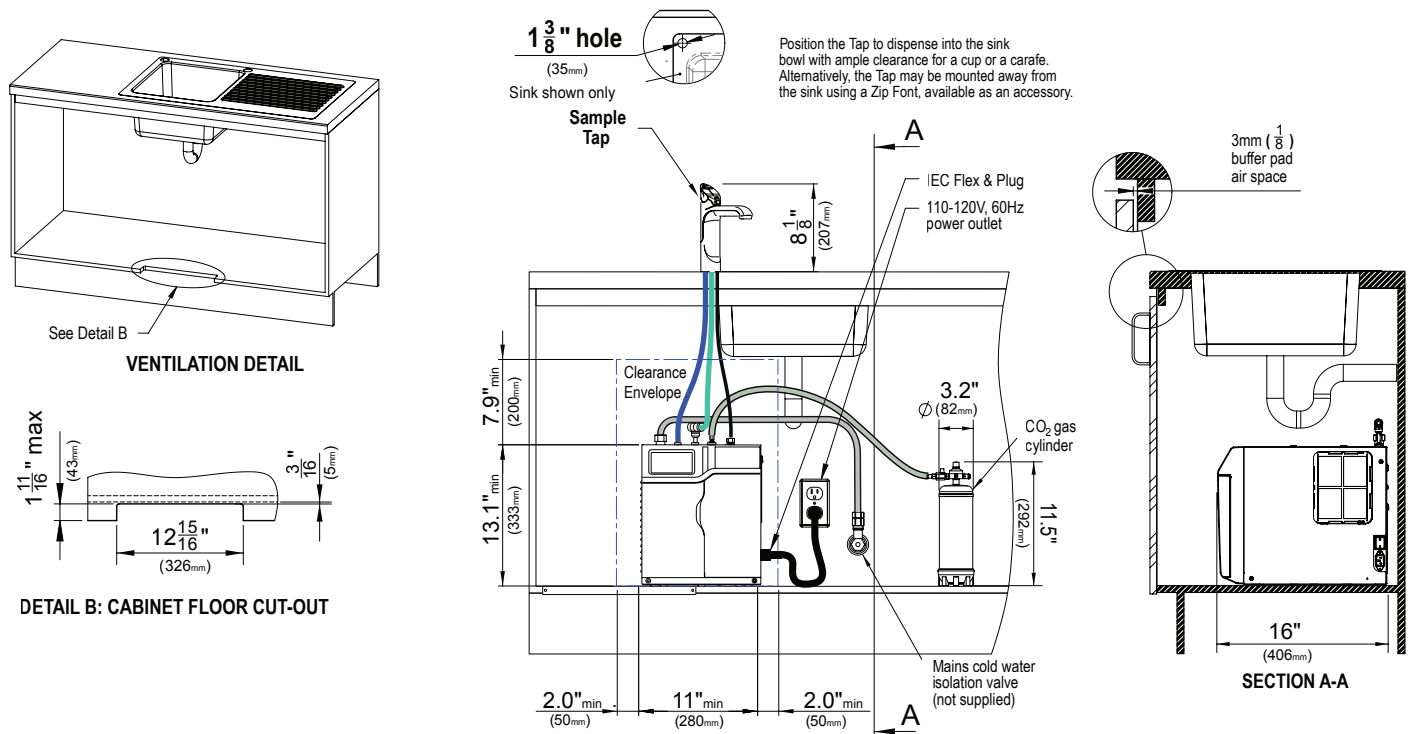
HYDROTAP® CLASSIC FOR HOME

CHILLED | SPARKLING



COMMAND CENTER SPECS

| | |
|--|--|
| Water Pressure | Min 36psi – Max 100psi with a minimum flow rate of 1 gpm |
| Water Connection | ½" BSP - isolation valve is required within 3' of the installation |
| Integral Water Values | HydroTaps are fitted with a Dual Check Valve and a 50psi Pressure Limiting Valve |
| Water Supply Requirements | Potable drinking water supply |
| Total Dissolved Solids (TDS) | TDS minimum 50ppm – maximum 120ppm |
| Integral Water Filter | 0.2 micron, 1 size - replace every 1,500 gallons or 12 months |
| Power Rating | 110-120V, 60 Hz, 1.25kW, 9A draw |
| Power Supply Requirements | 110-120V, 60Hz 15A power supply with a NEMA 5-15 outlet |
| Dimensions (WxDxH) | 11" x 16" x 13.1" |
| Minimum Air Gap | Clearances are required - 2" left side , 2" right side , 8" above |
| Dry Weight | 53lbs |
| Product Approvals | IAPMO - NSF/ANSI 372, 42 & 53, cUL, CEC |
| Warranty | 2 years (1 year Limited Warranty plus additional 1 year warranty is available on product registration) |
| CO ₂ Cylinder | 2 x 1.5lb beverage-grade carbon dioxide cylinder |
| CO ₂ Capacity | Approximately 450 glasses of sparkling water per 1.5lb CO ₂ cylinder |
| CO ₂ Operating Pressure | Min 39psi - Max 43psi |
| Maximum Hose Connection Length | 3' (tap to command center) |
| Minimum Distance Needed for Installation | 15" (interior wall to disposal) |
| Recommended Cabinet Depth | 24" |



Installation and connection of your HydroTap must be carried out by a qualified person, observing all local, state, & federal regulations. You will require suitable 110 -120V 60Hz 15 amp power supply with a NEMA 5-15 electrical outlet within 3' of the product. The HydroTap is a pump-driven system so the installation of the Tap must be within 3' of the base command center. The HydroTap is an air-cooled system so discrete cabinetry cut-outs are required for ventilation. Installation on most countertops is straightforward however some stone countertops may require a specialized cutting service. If using a drip tray (font) accessory, suitable drainage to a trapped waste is required within 3' of the installation. If you live in an area with hard water (more than 120ppm), we recommend installation of a scale filtration kit. Sufficient space and clearance to install the HydroTap as detailed in the product installation guidelines is required. Installation by Zip Professional Service can be arranged with a phone call to 1-833-233-2358 or through <https://us.zipwater.com>.