

The Zip logo is located in the top right corner of the image. It consists of the word "Zip" in a white, stylized font with a registered trademark symbol, set against a red, brush-stroke-like background.

# HYDROTAP® TOUCH-FREE WAVE FOR OFFICE

**BOILING** | **CHILLED** | **SPARKLING**

Create a safer workplace with the HydroTap Touch-Free Wave BCS 160/175 and enjoy instant boiling, chilled, and sparkling water at work\*.

\*maximum office size = 60 people

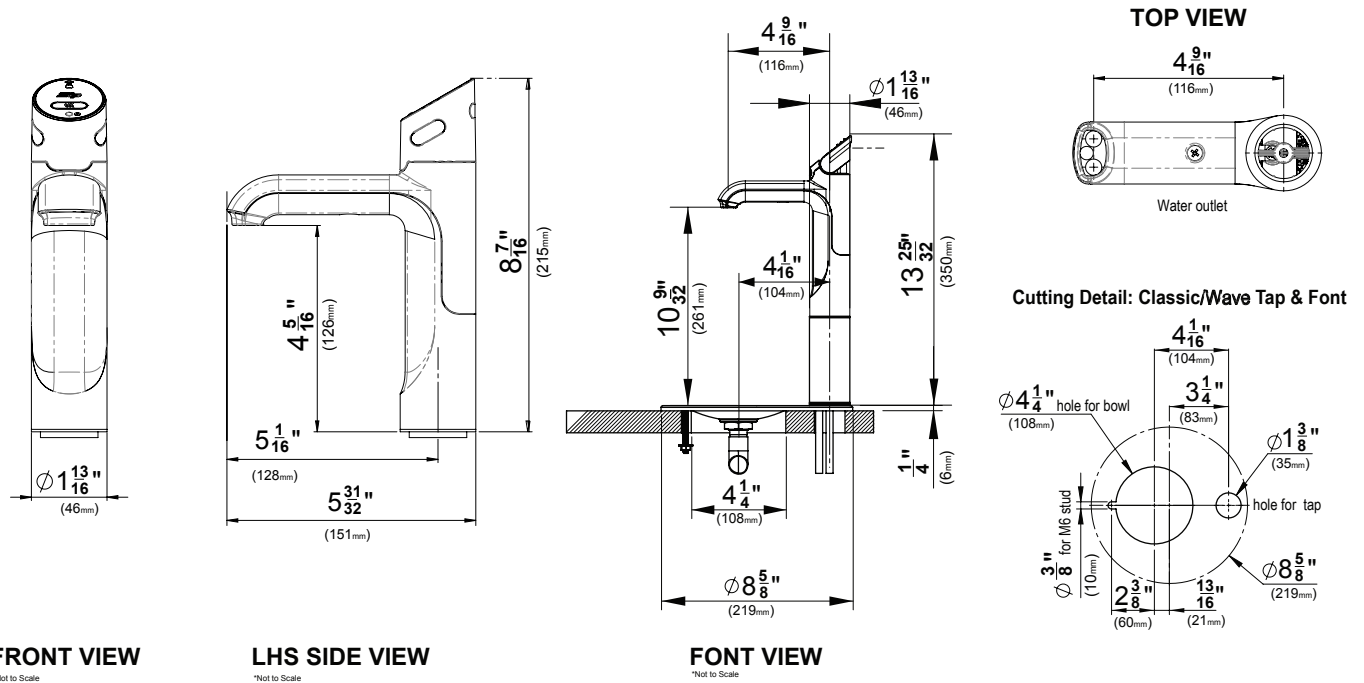
# HYDROTAP® TOUCH-FREE WAVE FOR OFFICE

**BOILING | CHILLED | SPARKLING**



## HYDROTAP TOUCH-FREE WAVE FOR OFFICE - TAP SPECS

Style	HydroTap Touch-Free Wave for Office* - includes child safety lock
Hole Size	1 3/8"
Available Finishes	Chrome, Matte Black with Chrome Accents
Installation	Over sink or on drip tray (optional - see below for fonts)
Flow rate	Max 1.8gpm
Sparkling Water Flow Rate	0.36gpm



### MODEL NUMBERS (CONSULT LOCAL DEALER FOR PRODUCT CODES)

WAVEBCS240V-CH	Wave (Chrome)
WAVEBCS240V-MB	Wave (Matte Black with Chrome Accents)

### PRODUCT CODE FOR OPTIONAL FONT

01034266	Drip Tray, Classic/Wave Font (Chrome)
01034268	Drip Tray, Classic/Wave Font (Matte Black)

### PRODUCT CODE FOR VENT TRAY (RECOMMENDED)

01034280	Vent Tray BC/BCS
----------	------------------

### PRODUCT CODES FOR ACCESSORIES

01034277	Filter, Zip, 0.2 Micron, 1.5 Size - 93702	01034348	Zip 1 x 5lb CO2 refillable/recyclable cylinders
01034278	Filter, Zip, 3 Micron, 1.5 Size - 93703	01034349	Zip CO2 Regulator
01034279	Filter, Zip, 0.2 Micron - Non-Carbon, 1.5 Size - 93706	01037870	Zip FL1000 Scale Prevention Replacement Filter
01037876	Zip Scale Prevention Filter Kit 1,850 Gallons (7,000 L)		

\*maximum office size = 60 people

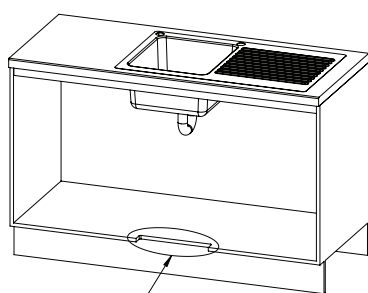
# HYDROTAP® TOUCH-FREE WAVE FOR OFFICE

**BOILING | CHILLED | SPARKLING**

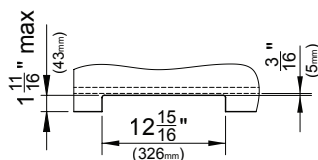


## BCS 160/175 - COMMAND CENTER SPECS

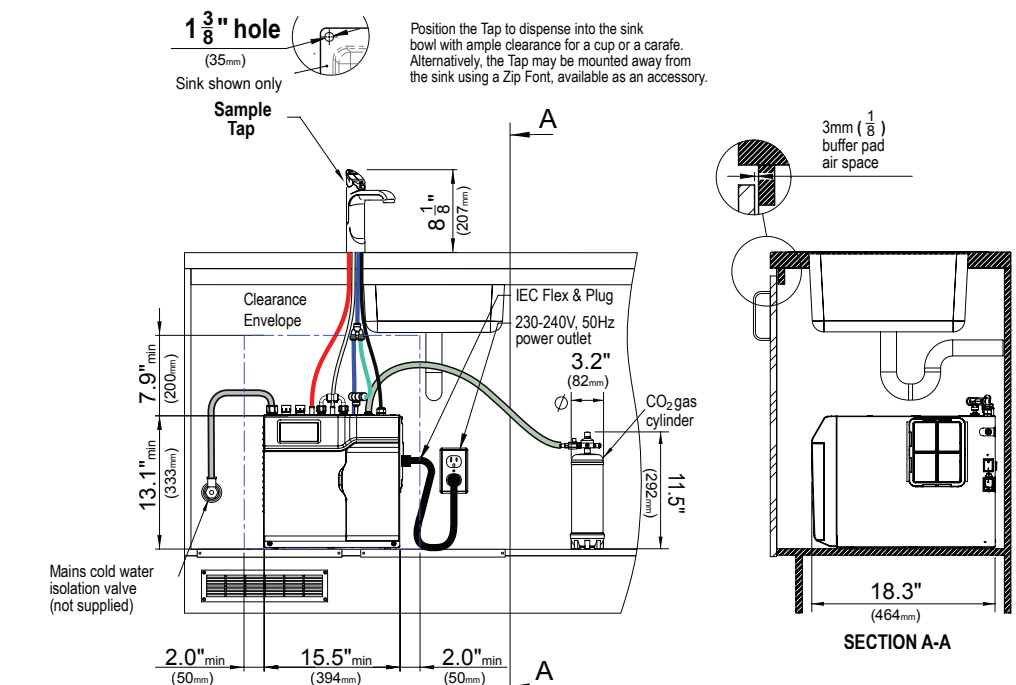
Water Pressure	Minimum 30psi – maximum 75psi with a minimum flow rate of 1 gpm
Water Connection	½" BSP - isolation valve is required within 3' of the installation
Integral Water Valves	HydroTaps are fitted with a dual check valve and a 50psi pressure limiting valve
Water Supply Requirements	Potable drinking water supply
Total Dissolved Solids (TDS)	TDS minimum 50ppm – maximum 120ppm
Integral Water Filter	0.2 micron, 1.5 size - replace every 1,800 gallons or 6 months
Power Rating	220-240V, 50 Hz, 2.3kW, 9.9A
Power Supply Requirements	220-240V, 50/60Hz 15 amp power supply with a NEMA 6-15 outlet
Dimensions (WxDxH)	15.5" x 18.3" x 13.1" (excluding vent duct)
Minimum Air Gap	Clearances are required - 2" left side , 2" right side , 8" above
Dry Weight	92.59lbs
Product Approvals	IAPMO - NSF/ANSI 372, 42 & 53, cUL, CEC, ADA compliant
Warranty	2 years (1 year Limited Warranty plus additional 1 year Warranty is available on product registration)
CO <sub>2</sub> Cylinder	1 x 5lb beverage grade carbon dioxide cylinder
CO <sub>2</sub> Capacity	Approximately 1,200 8oz cups
CO <sub>2</sub> Operating Pressure	Min 39psi - Max 43psi
Maximum Hose Connection Length	3' (tap to command center)
Minimum Distance Needed for Installation	15" (interior wall to disposal)
Recommended Cabinet Depth	24"



VENTILATION DETAIL



DETAIL B: CABINET FLOOR CUT-OUT



Installation and connection of your HydroTap must be carried out by a qualified person, observing all local, state & federal regulations. You will require suitable 220 -240V 50/60Hz 15 amp power supply with a NEMA 6-15 electrical outlet within 3' of the product. The HydroTap is a pump-driven system so the installation of the Tap must be within 3' of the base command center. The HydroTap is an air-cooled system so discrete cabinetry cut-outs are required for ventilation. Installation on most counter tops is straightforward however some stone counter tops may require a specialized cutting service. If using a drip tray (font) accessory suitable drainage to a trapped waste is required within 3' of the installation. If you live in an area with hard water (more than 120ppm), we recommend installation of a scale filtration kit. Sufficient space and clearance to install the HydroTap as detailed in the product installation guidelines is required. Installation by Zip Professional Service can be arranged with a phone call to 1-833-233-2358 or through <https://us.zipwater.com>

\*maximum office size = 60 people