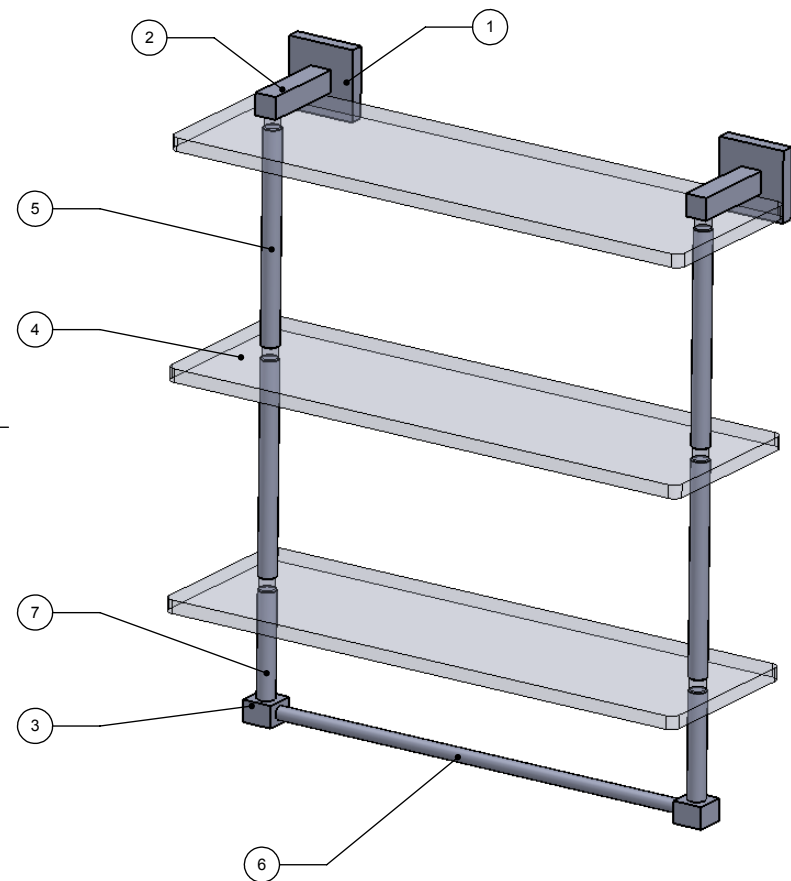
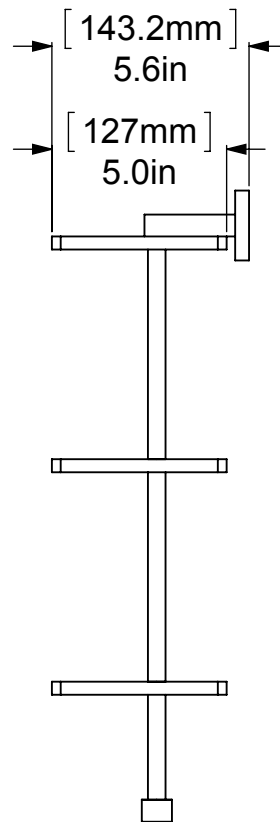
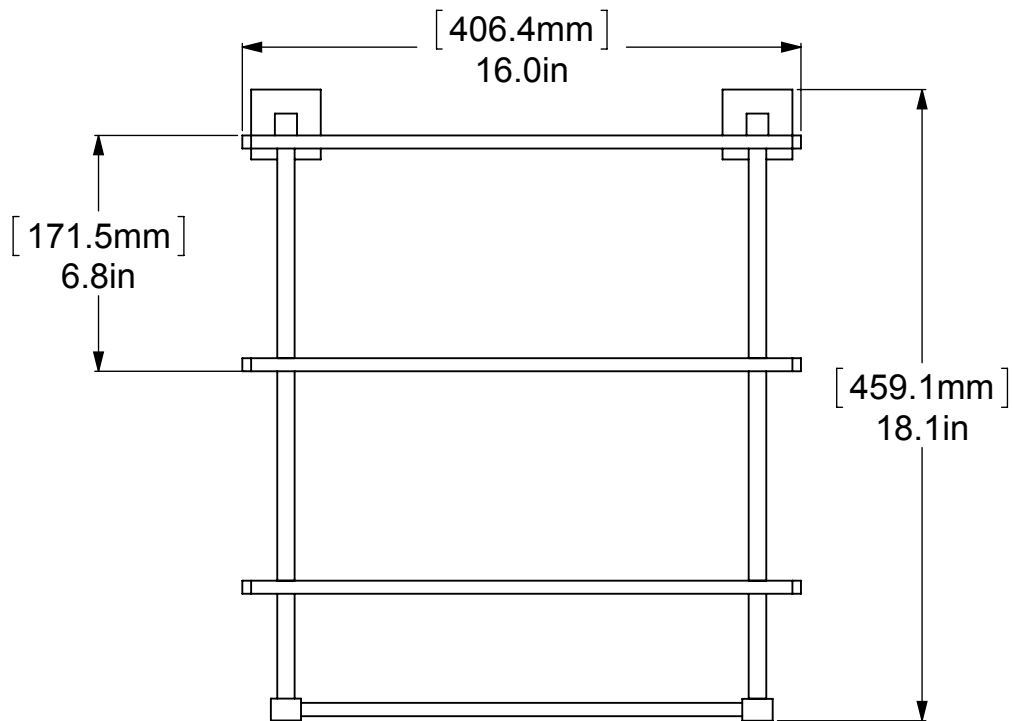


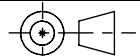
ITEM NO.	P/N	Description	QTY.
1	BPSQ	BACKPLATE	2
2	HKSQ-2.5	Neck	2
3	HBSQ-78	HUB	2
4	GLRT-16	GLASS	3
5	TU12-6	TUBE	4
6	TU12-18	TUBE HOR	1
5	TU12-3	TUBE BOT	2



UNLESS OTHERWISE STATED

.X	$\pm .3\text{mm}$
.XX	$\pm .15\text{mm}$
.XXX	$\pm .008\text{mm}$

COPYRIGHT © Allied Brass 2016



THIRD ANGLE PROJECTION

DRAWN	6/10/2016	I.M
CHECKED	6/10/2016	P.D
APPROVED	6/10/2016	R.A

MATERIAL:	BRASS
DESCRIPTION:	SHELF

FINISH	TBD
QUANTITY	TBD
DRAWING No.	MT-5-16TB
SCALE	1:2.5
SHEET: 01	A4

REV

0