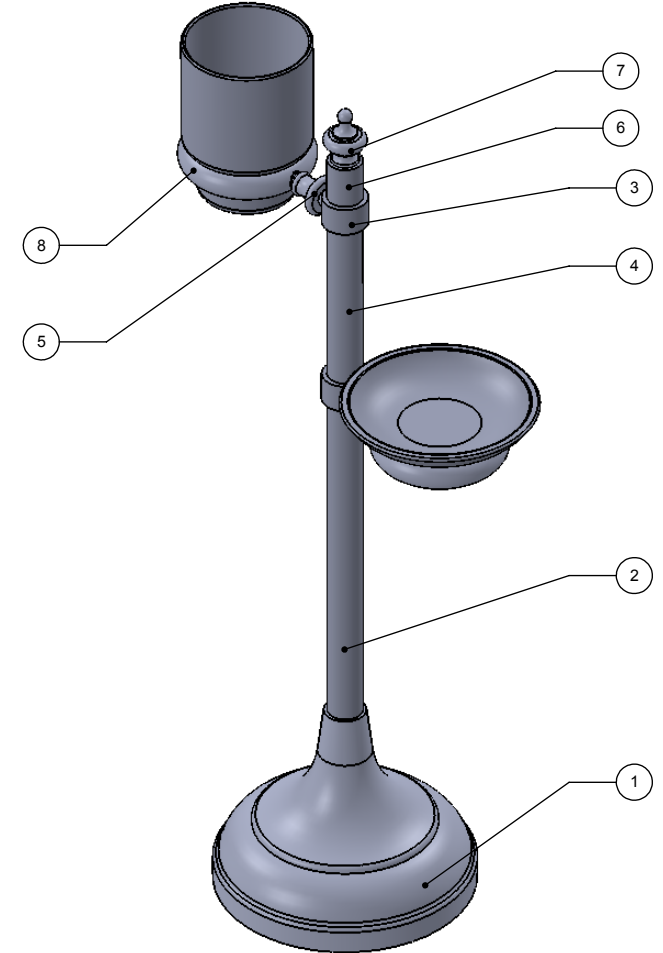


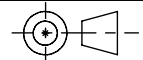
ITEM NO.	P/N	DESCRIPTION	QTY.
1	BSTD-5.5	BASE	1
2	TU34-8	TUBE BOTTOM	1
3	HB1T-1	HUB	2
4	TU34-4	TUBE TOP	1
5	HRSD	ROD	2
6	TU34-1	TUBE END	1
7	CAPY-1	TOP CAP	2
8	HRRD	RING	2



UNLESS OTHERWISE STATED

.X	±.3mm
.XX	±.15mm
.XXX	±.008mm

COPYRIGHT © Allied Brass 2016



THIRD ANGLE PROJECTION

DRAWN	4/8/2016	I.M
CHECKED	4/8/2016	P.D
APPROVED	4/8/2016	R.A

MATERIAL:	BRASS
DESCRIPTION:	Vanity Top Multi-Accessory Ring Stand



FINISH	TBD
QUANTITY	TBD
DRAWING No.	TS-23
REV	0
SCALE	1:4
SHEET: 01	A4