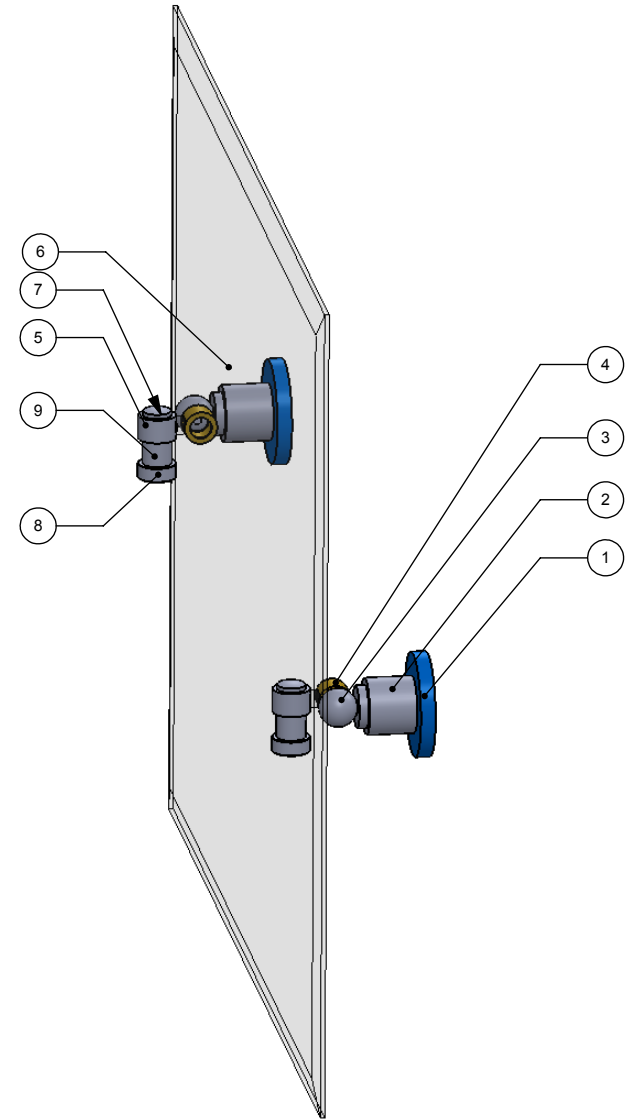
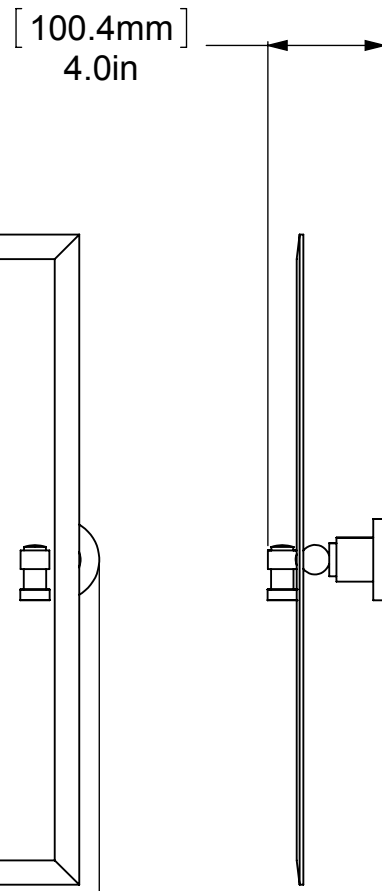
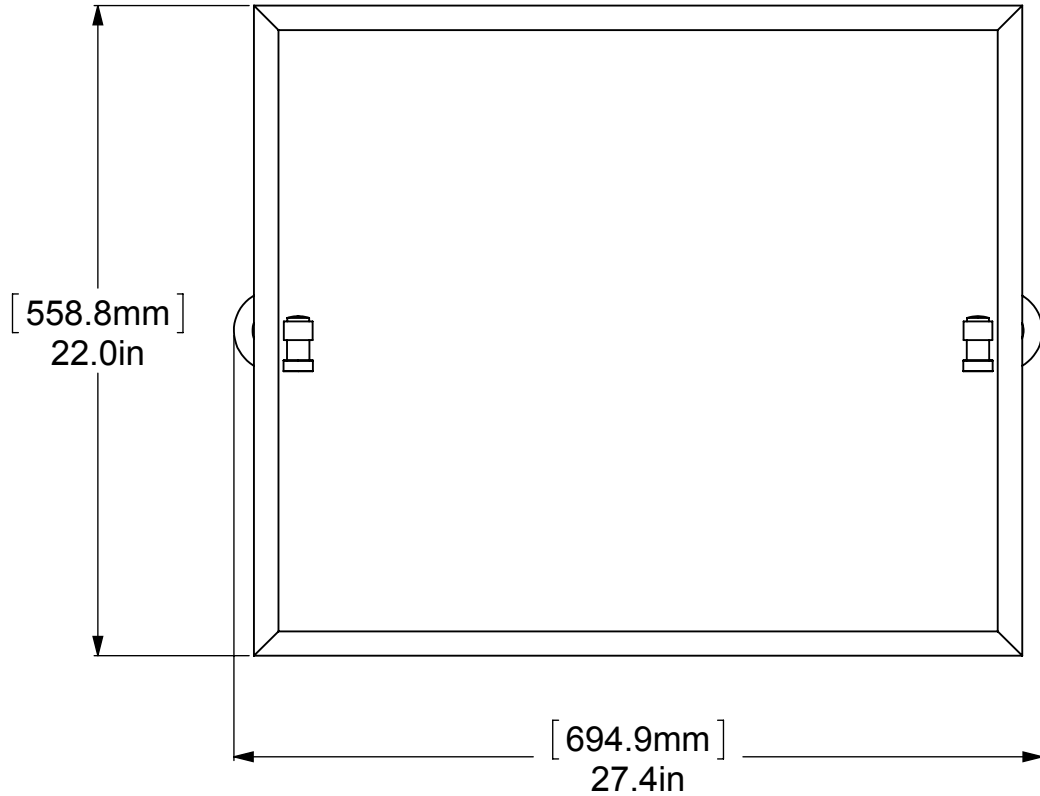
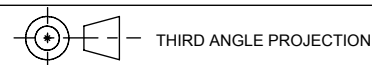


| | | | |
|---|-----------|--------------|---|
| 1 | BPDSR | BACKPLATE | 2 |
| 2 | WASP | SUPPORT | 2 |
| 3 | BL2T-1 | BALL SUPPORT | 2 |
| 4 | HBTT-78 | TILT | 2 |
| 5 | HB1T-1 | HUB | 2 |
| 6 | MRRT-93 | MIRROR | 1 |
| 7 | CARD-34 | CAP 0.75 | 2 |
| 8 | CARD-1 | CAP 1 | 2 |
| 9 | TU34-0.75 | TUBE | 2 |



| UNLESS OTHERWISE STATED | |
|-------------------------|---------|
| .X | ±.3mm |
| .XX | ±.15mm |
| .XXX | ±.008mm |

COPYRIGHT © Allied Brass 2016



| | | |
|----------|-----------|-----|
| DRAWN | 2/20/2016 | I.M |
| CHECKED | 2/20/2016 | P.D |
| APPROVED | 2/20/2016 | R.A |

| | |
|--------------|--------|
| MATERIAL: | BRASS |
| DESCRIPTION: | MIRROR |



| | |
|-------------|-------|
| FINISH | TBD |
| QUANTITY | TBD |
| DRAWING No. | REV |
| WS-93 | 0 |
| SCALE | 1:6.5 |
| SHEET: 01 | A4 |