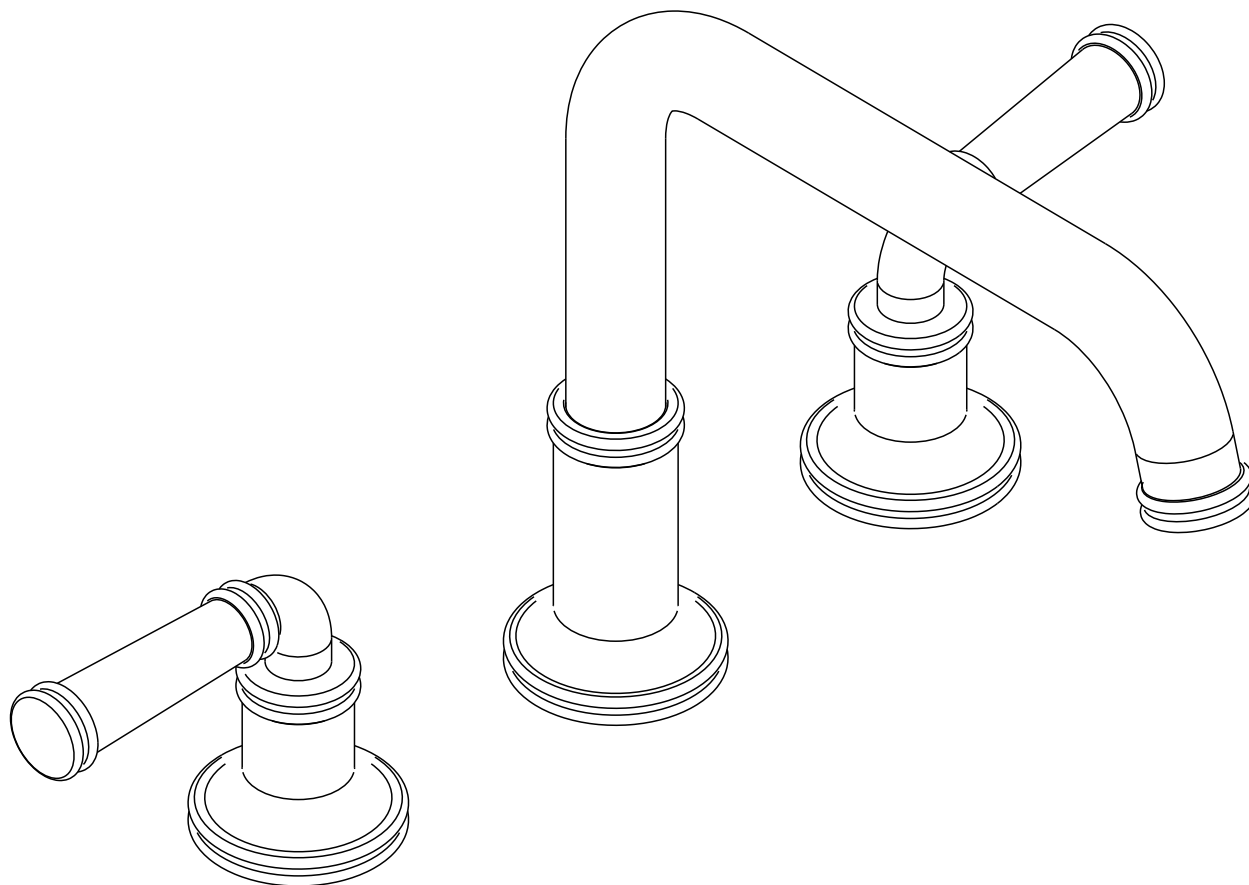


Before connecting the faucet to the water supply, flush the tubing thoroughly to eliminate any residue. / Antes de conectar el pico al suministro de agua, enjuaguelo para eliminar cualquier tipo de residuo

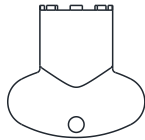
**FV210/K3** Roman tub faucet / Juego hidromasaje



## Required installation tools

### Provided

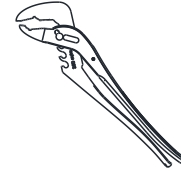
---



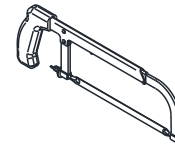
**Aerator Tool**  
Llave Aireador

### Not Provided

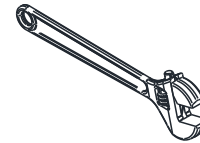
---



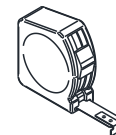
**Channelock**  
Llave pico de loro



**Hacksaw**  
Sierra



**Adjustable wrench**  
Llave ajustable



**Measure tape**  
Cinta métrica

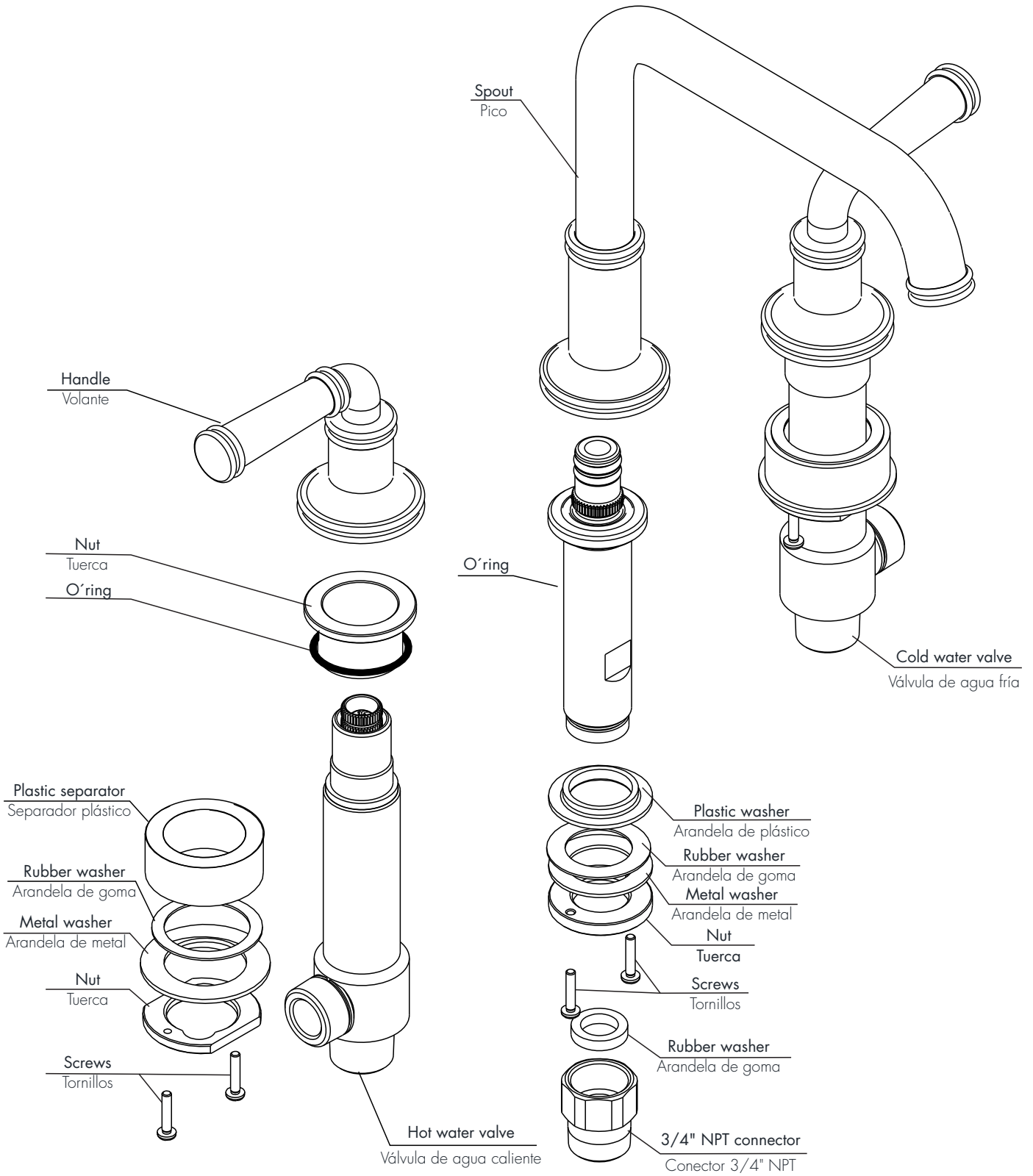


**Teflón tape**  
Teflón

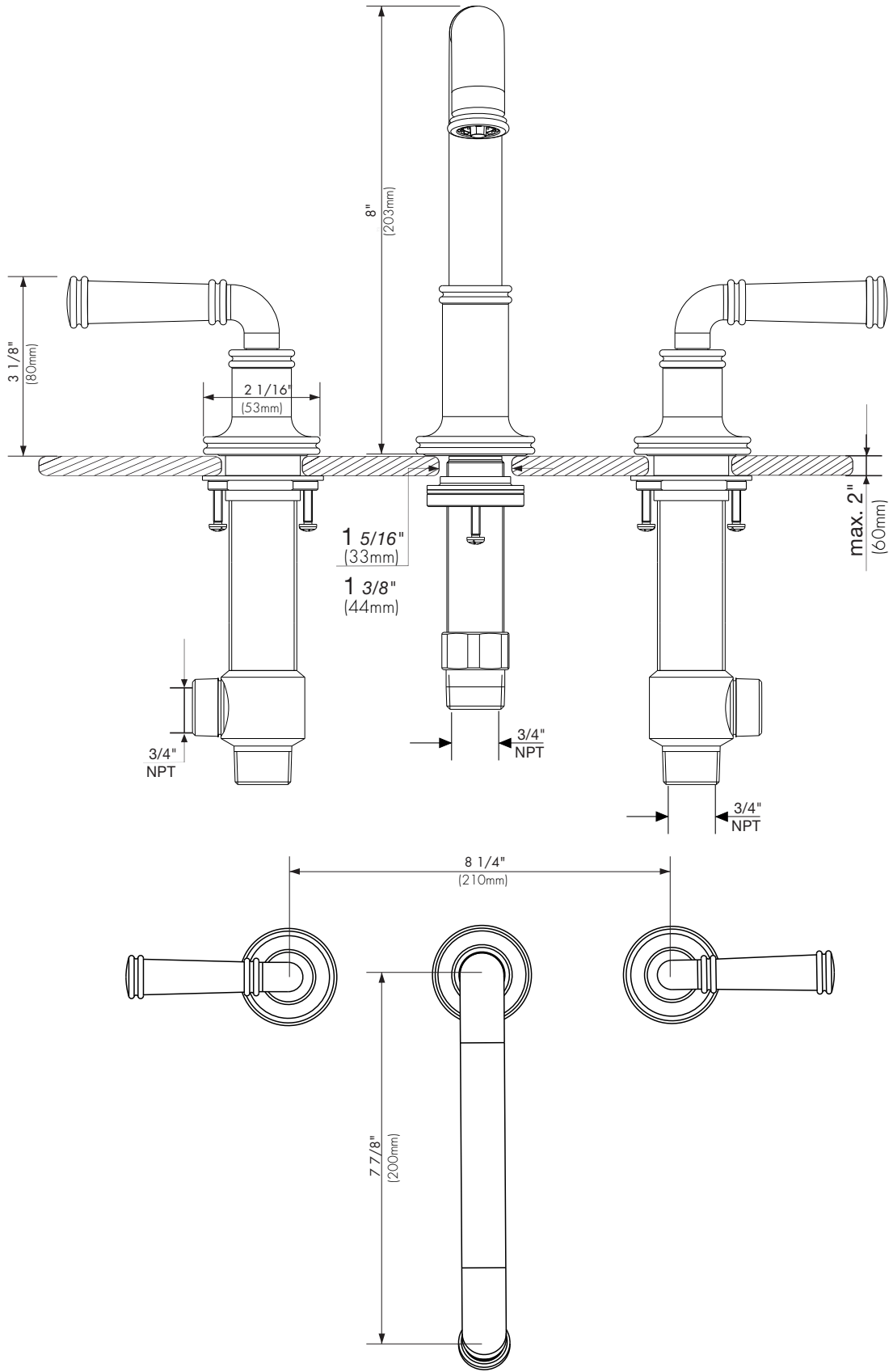
# Exploded view

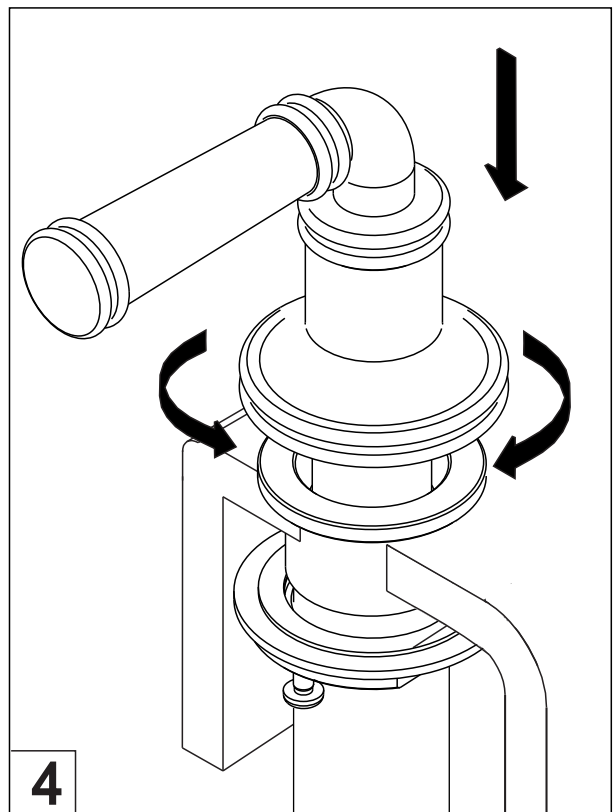
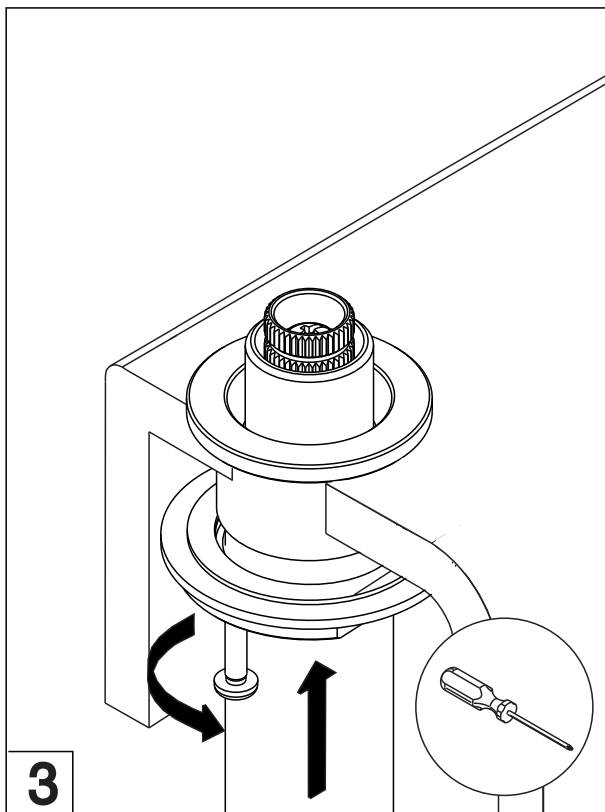
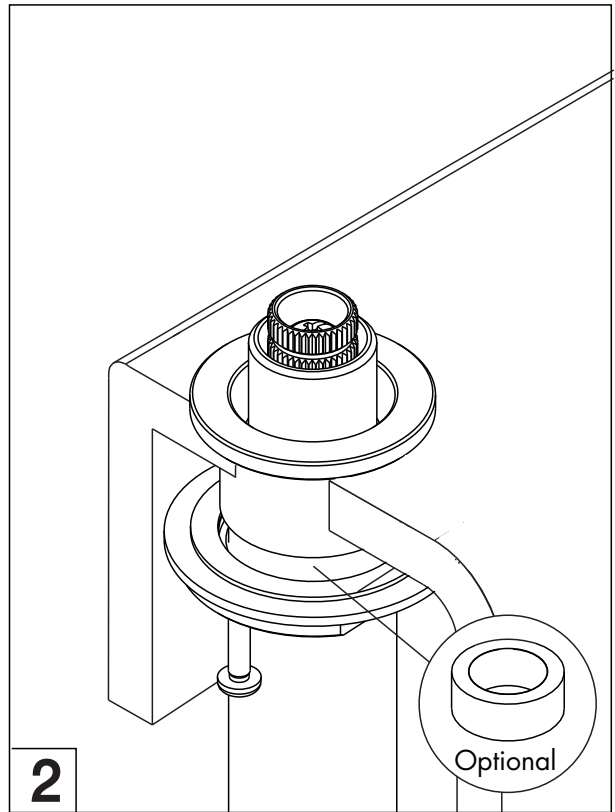
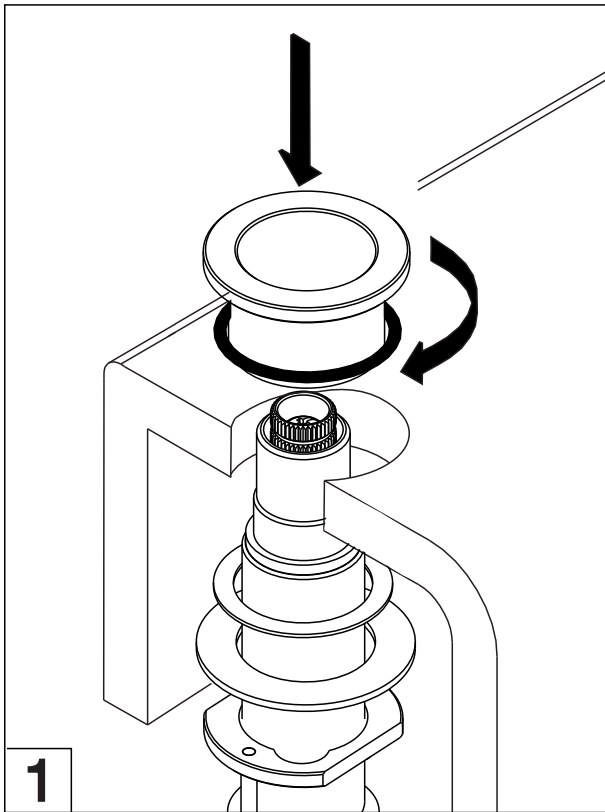
## FV210/K3

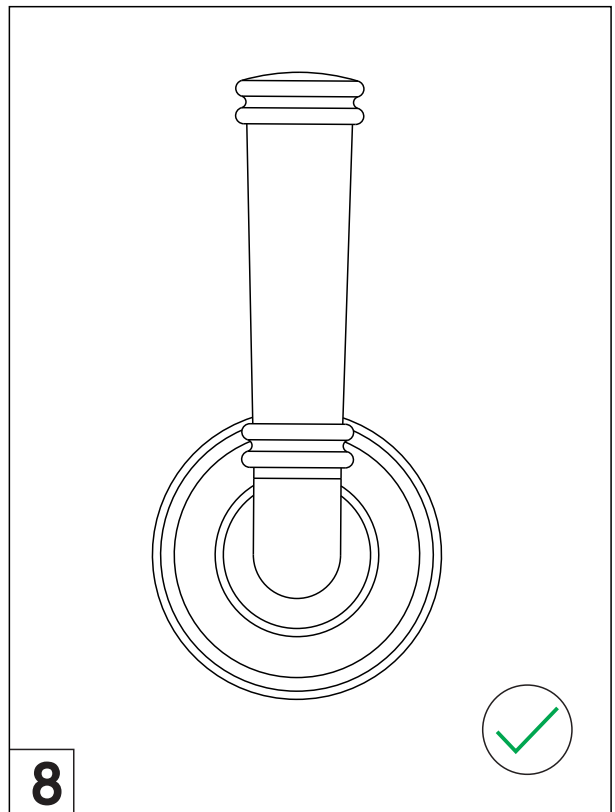
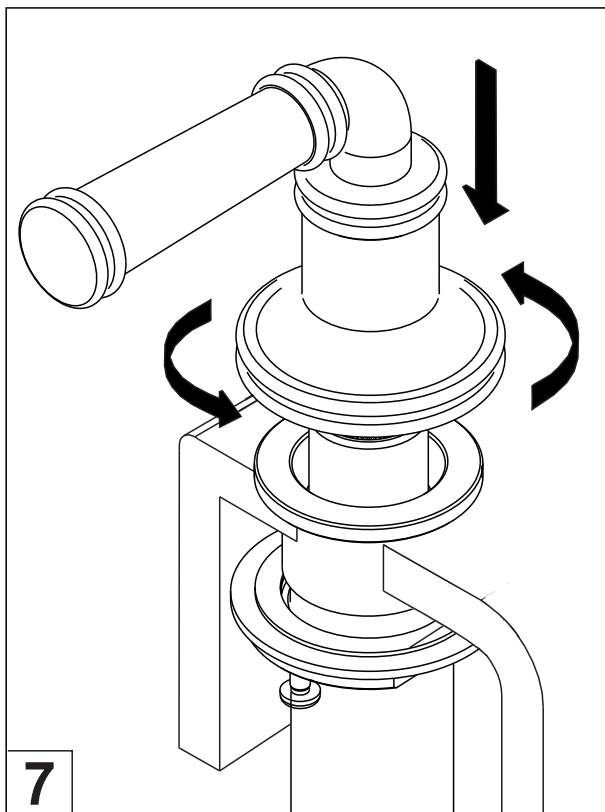
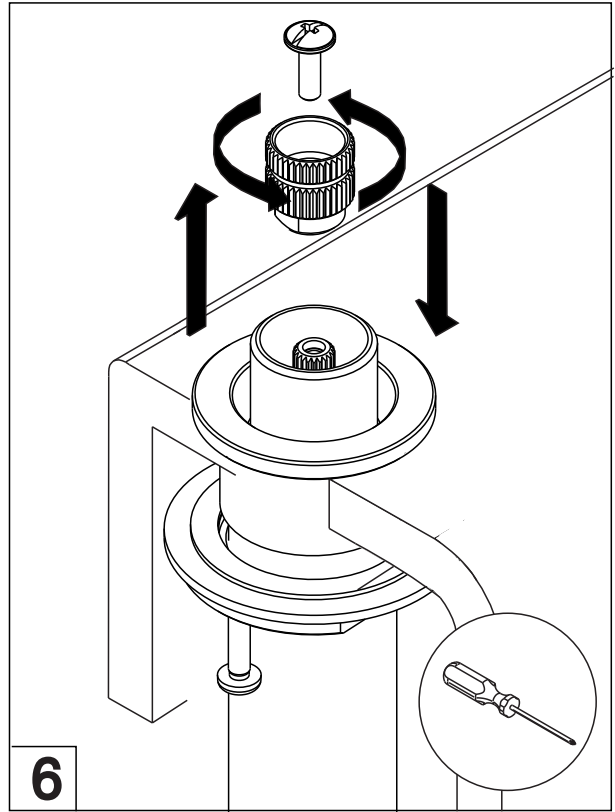
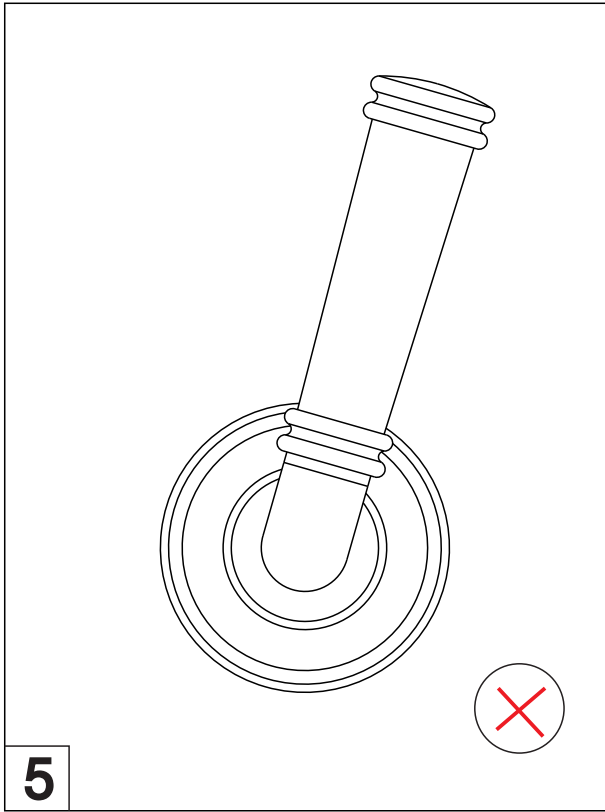
Roman tub faucet  
Pico hidromasaje

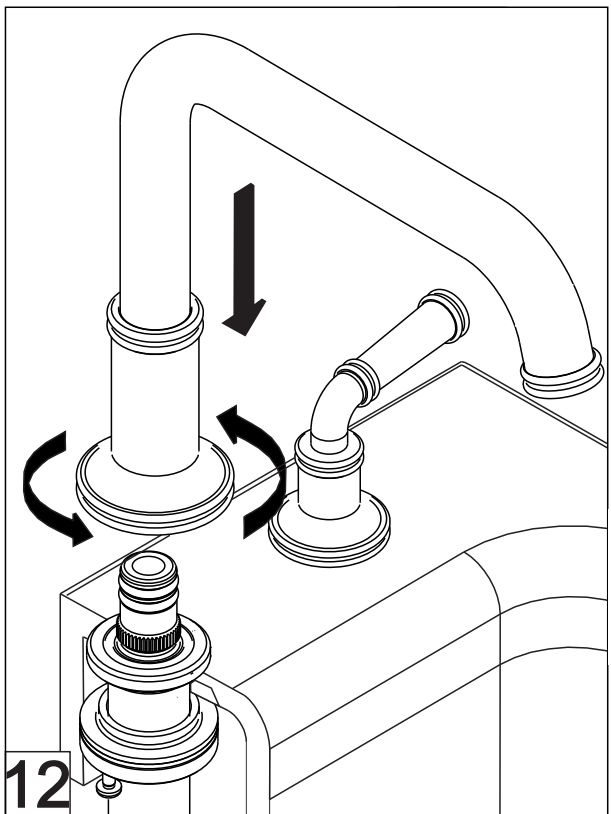
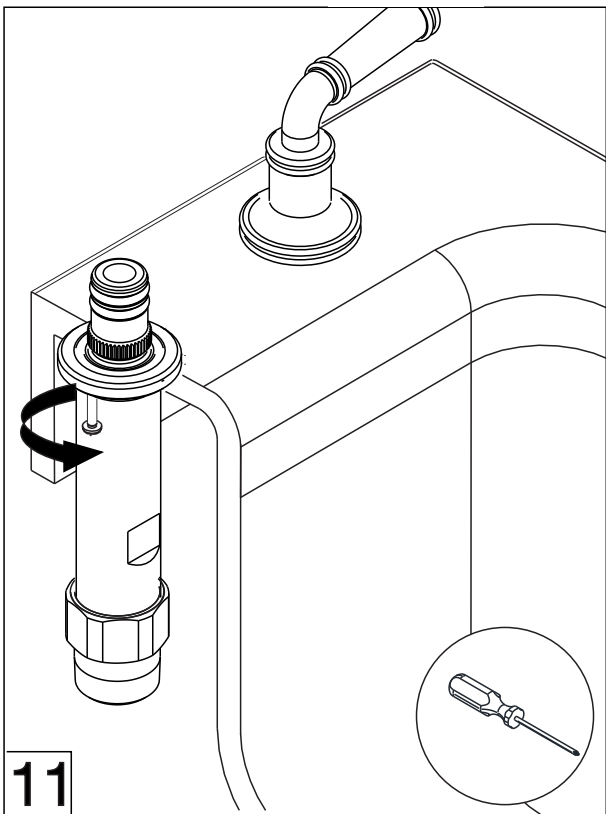
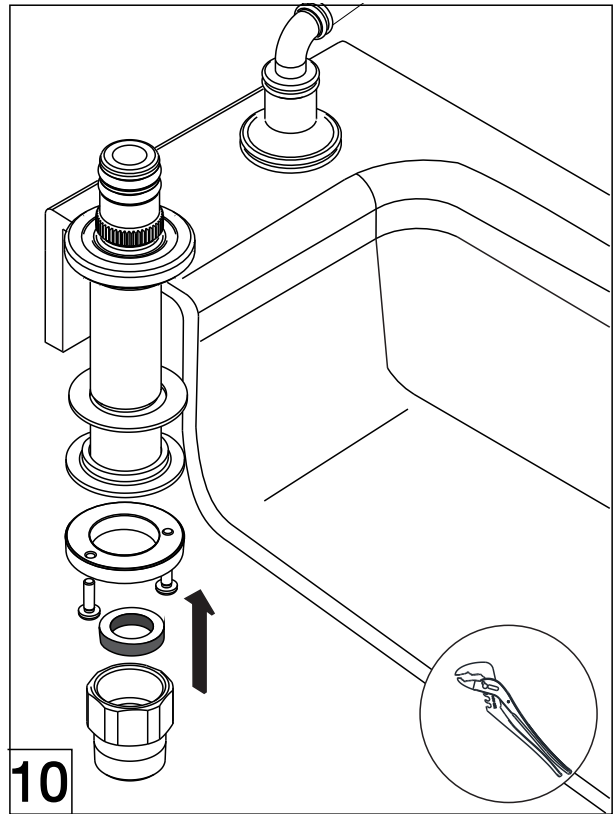
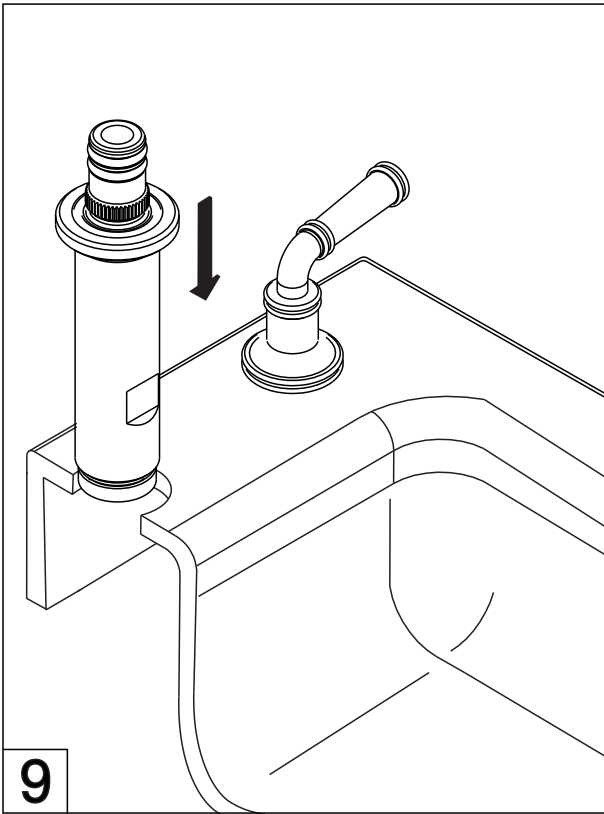


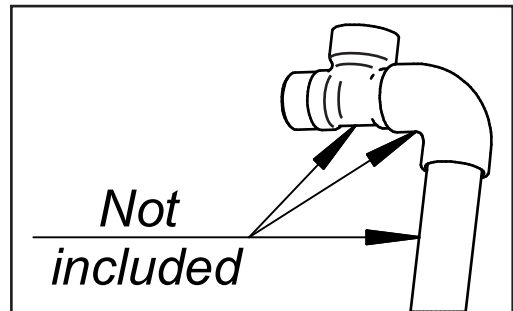
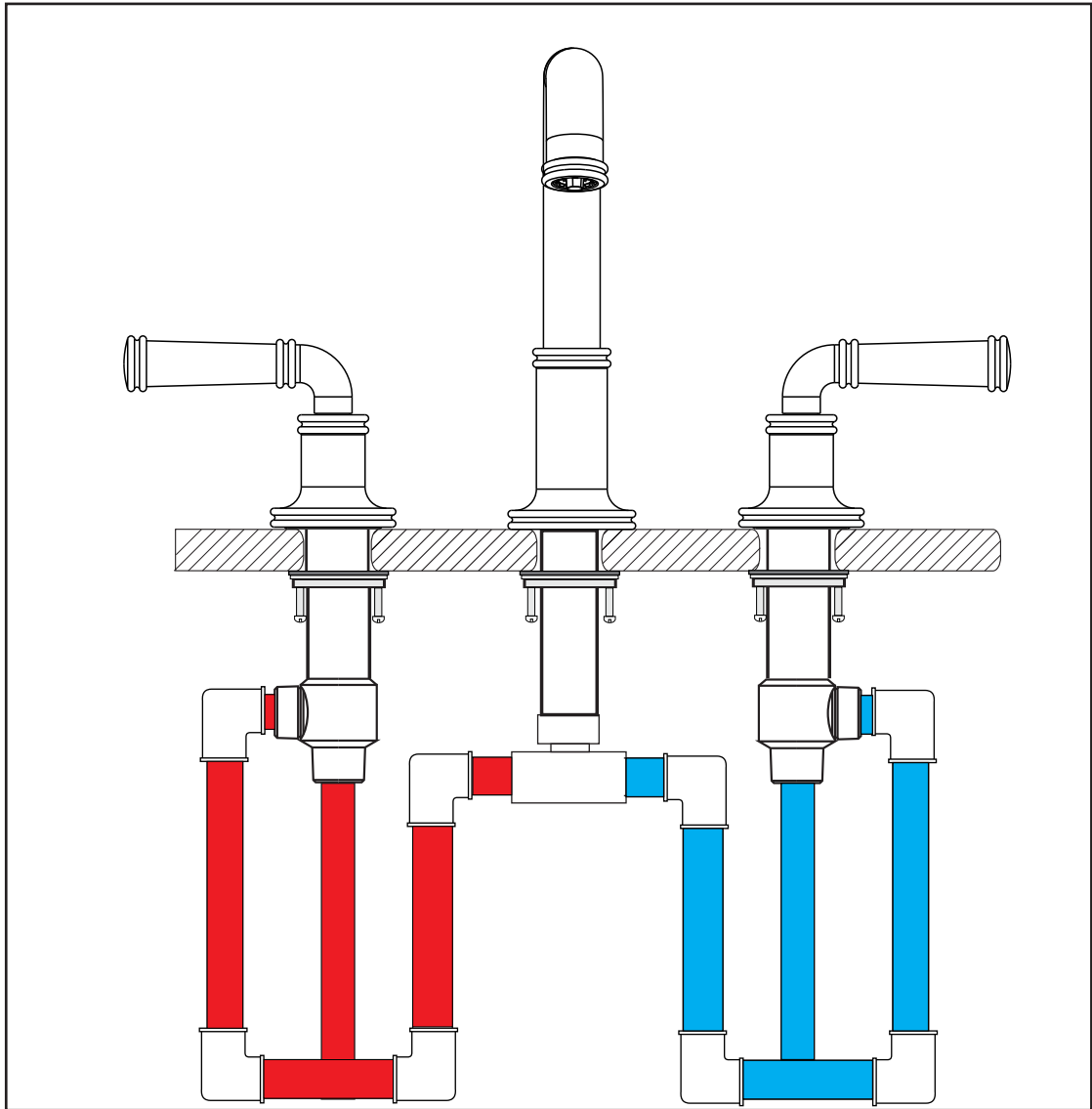
# Measures













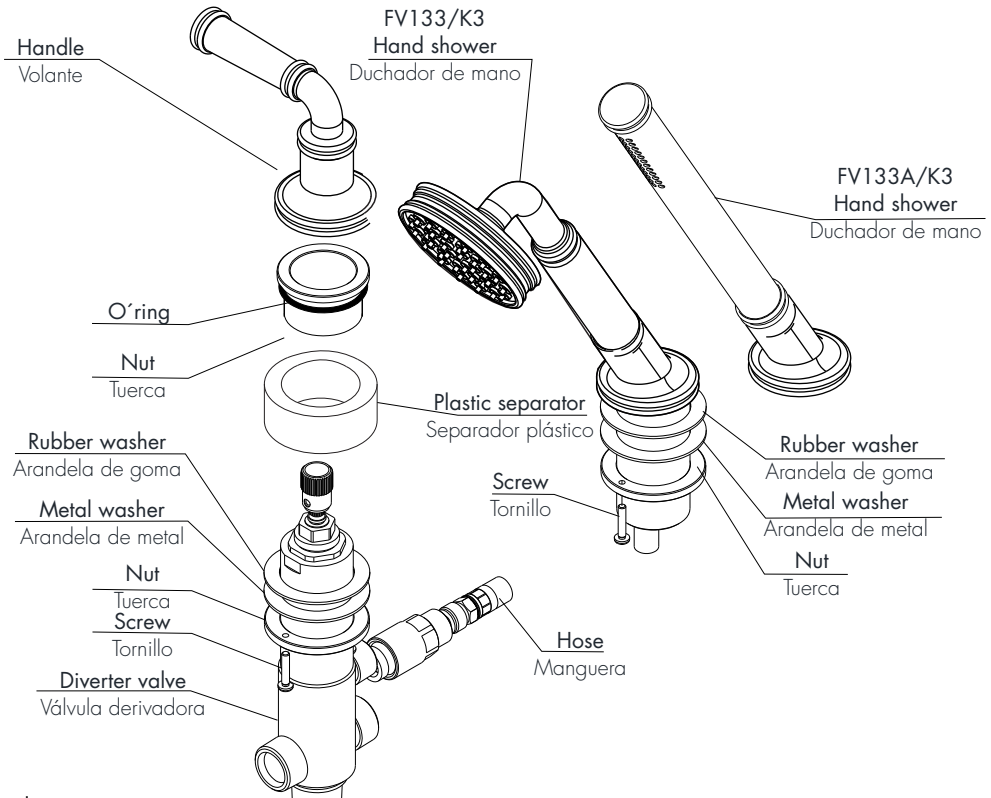


Exploded view / Vista explotada

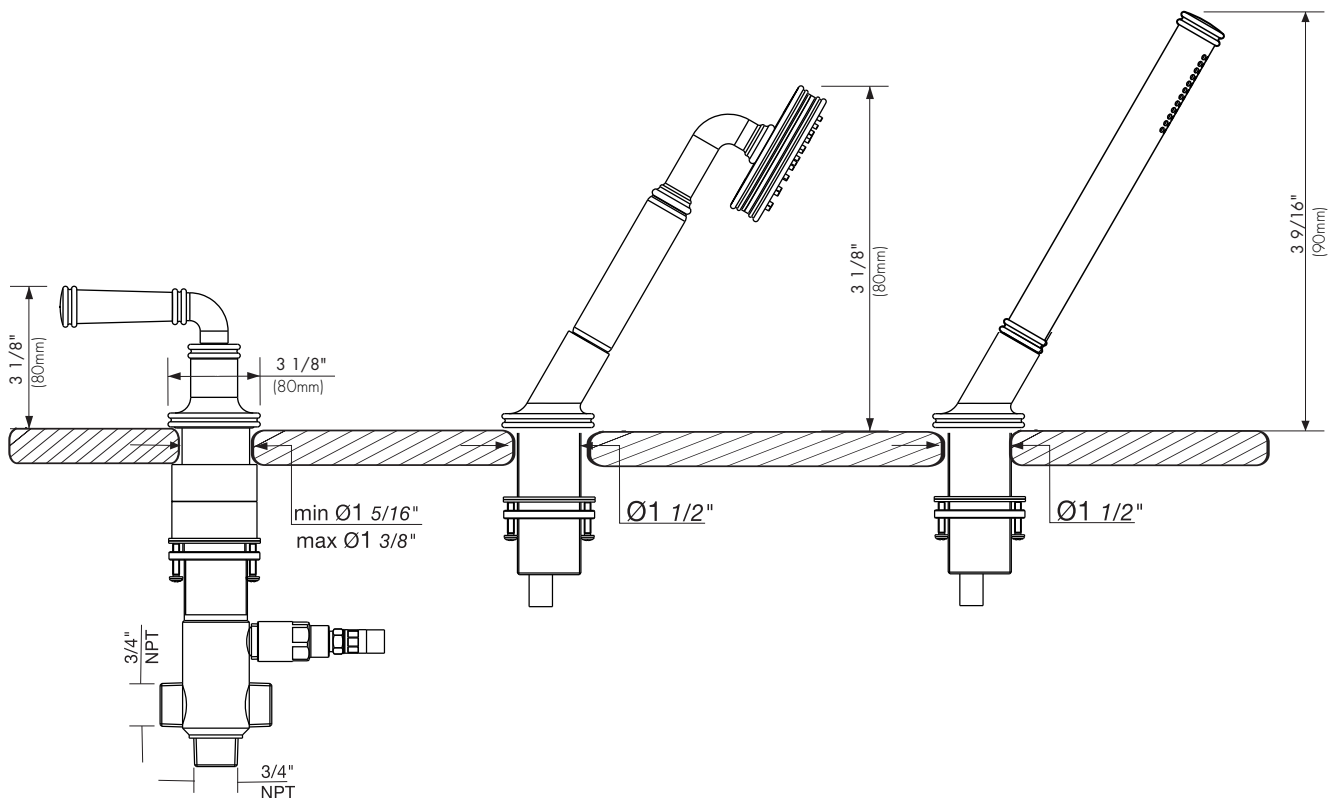
### FV133/K3-FV133A/K3

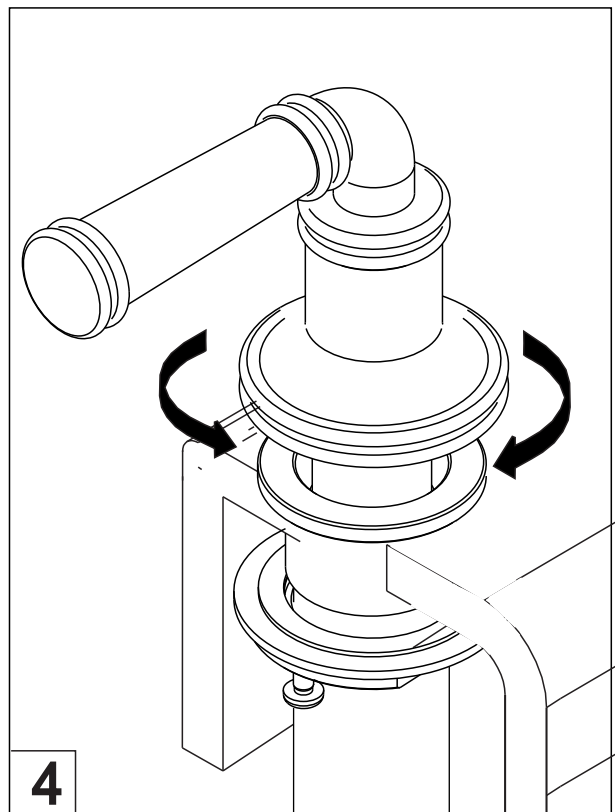
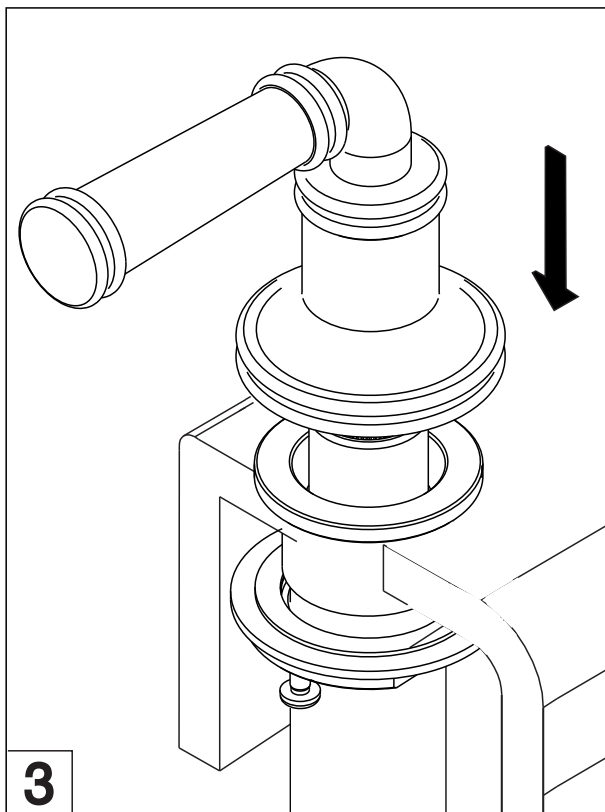
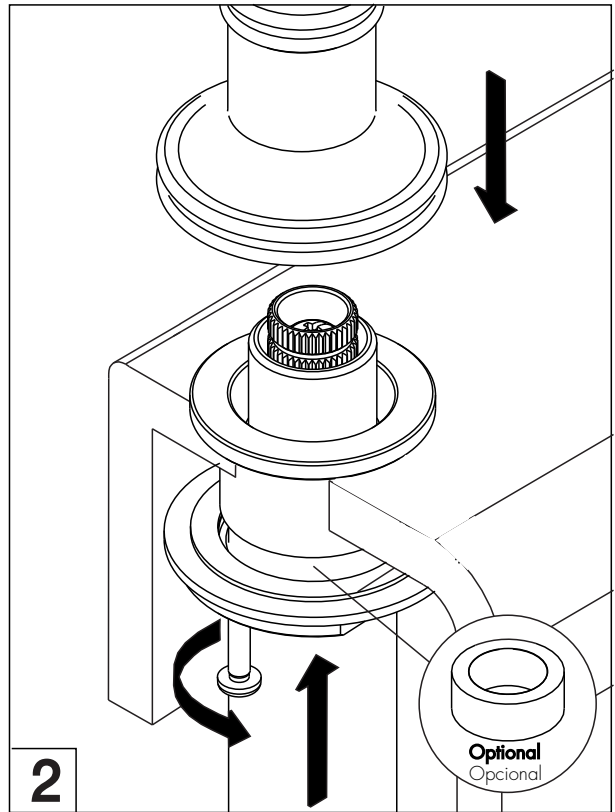
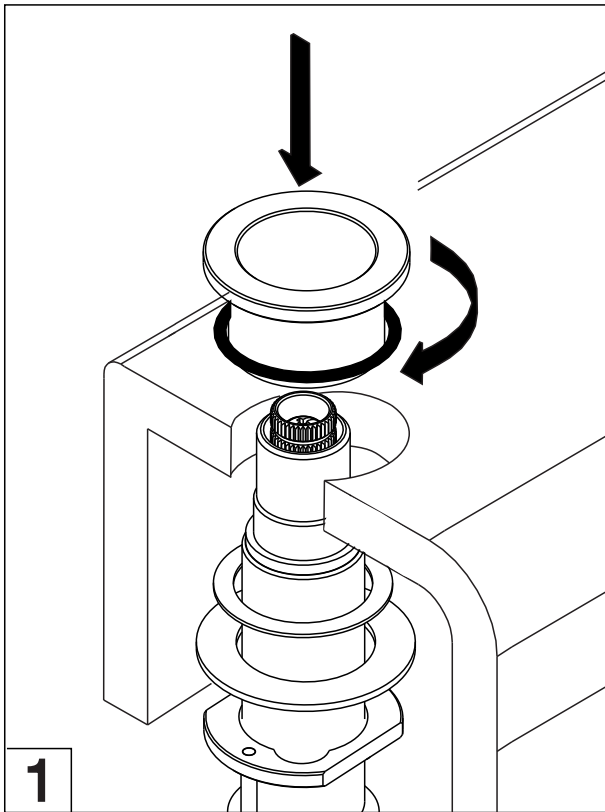
### Hand shower, diverter valve with complete handle

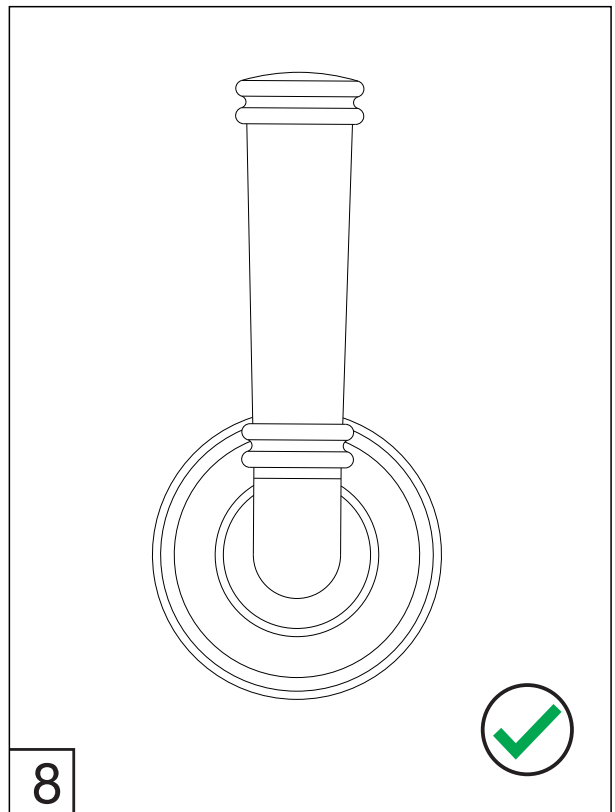
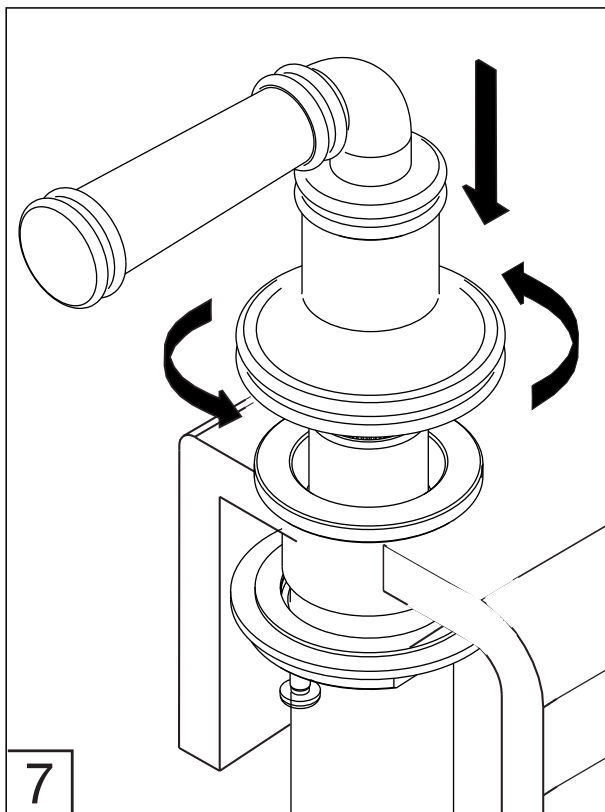
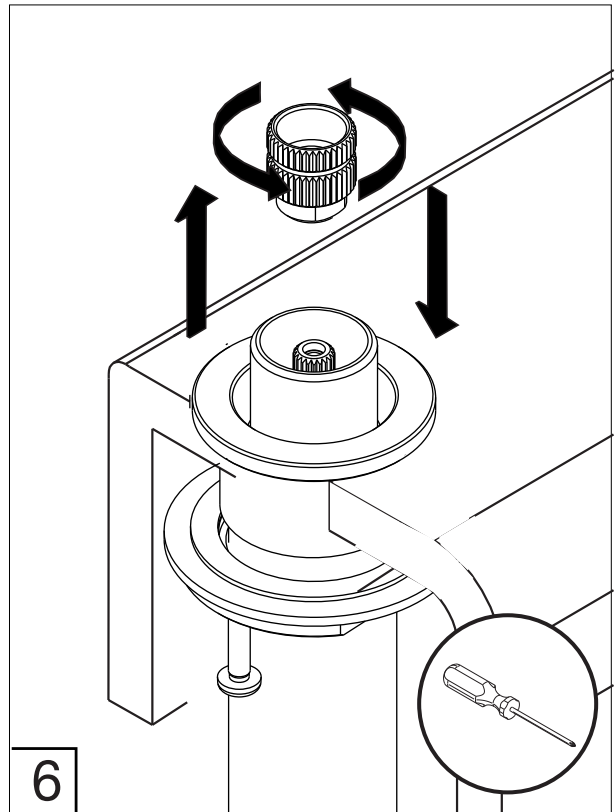
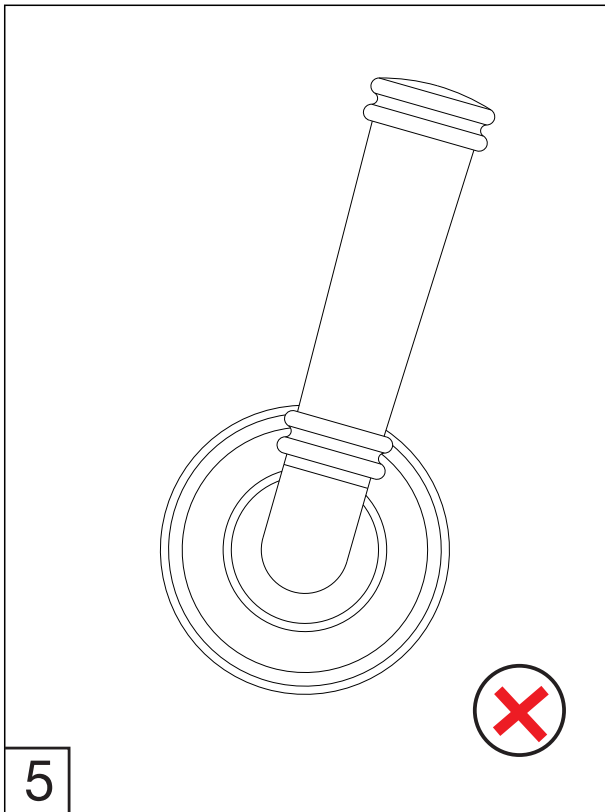
Pico hidromasaje

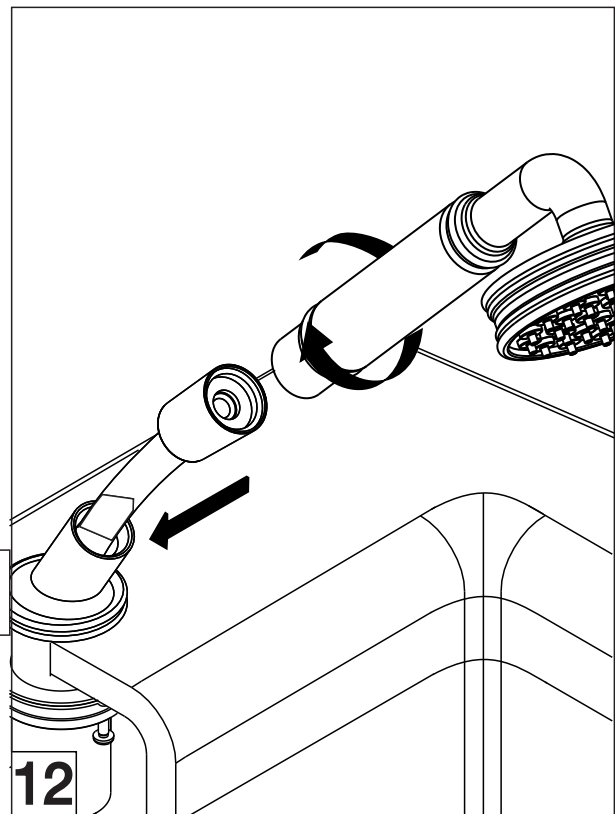
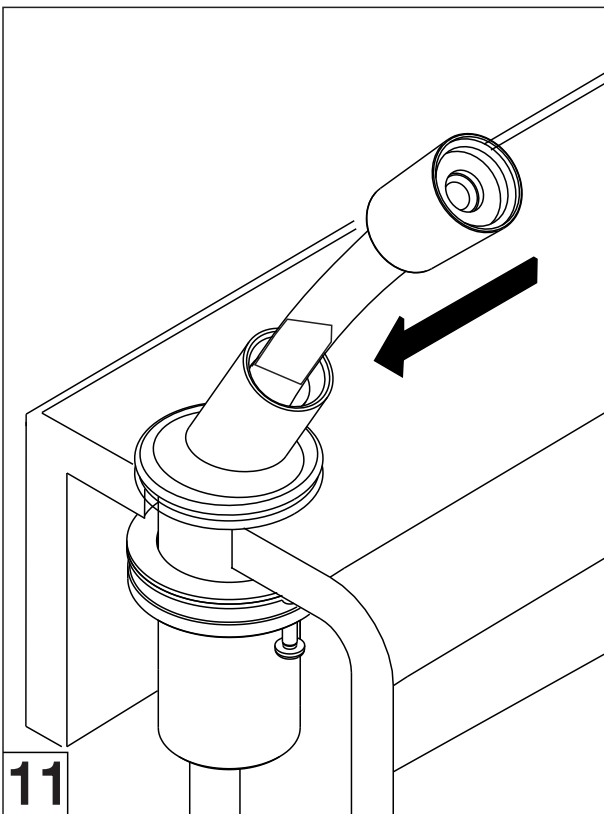
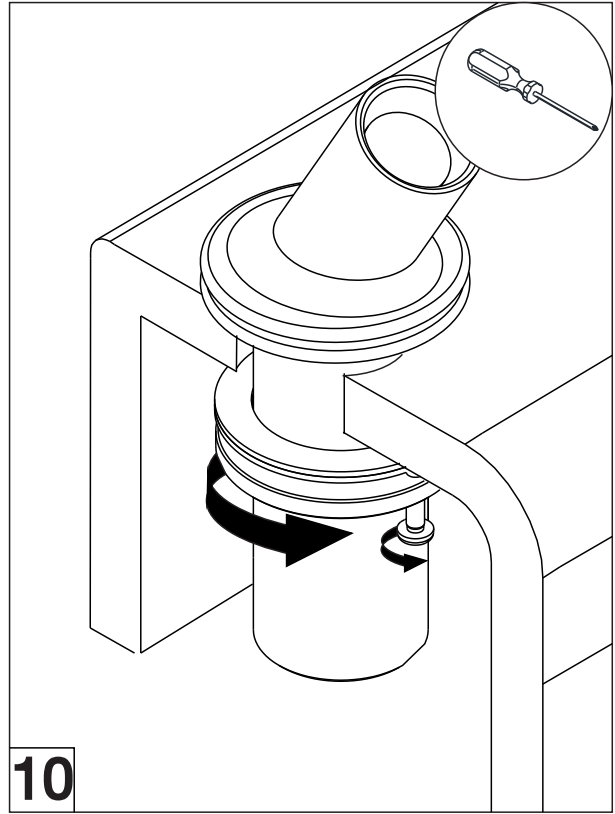
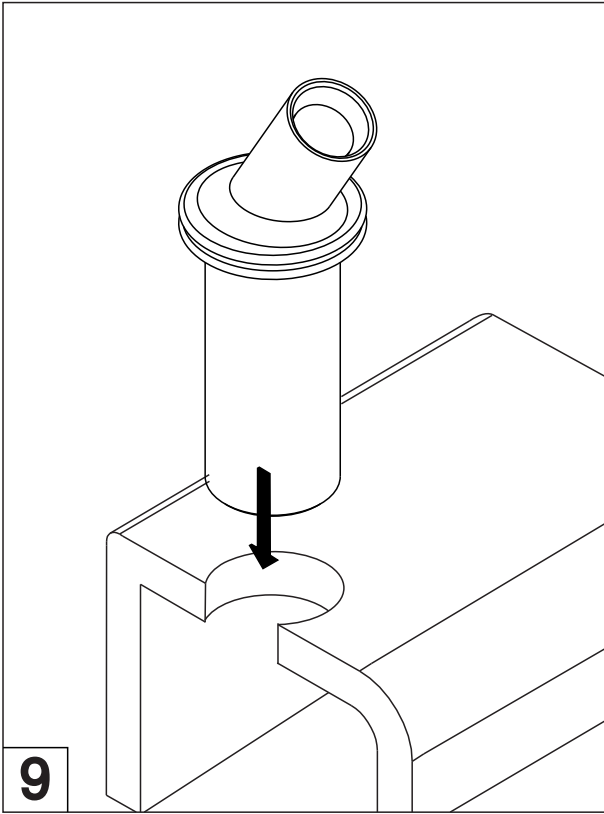


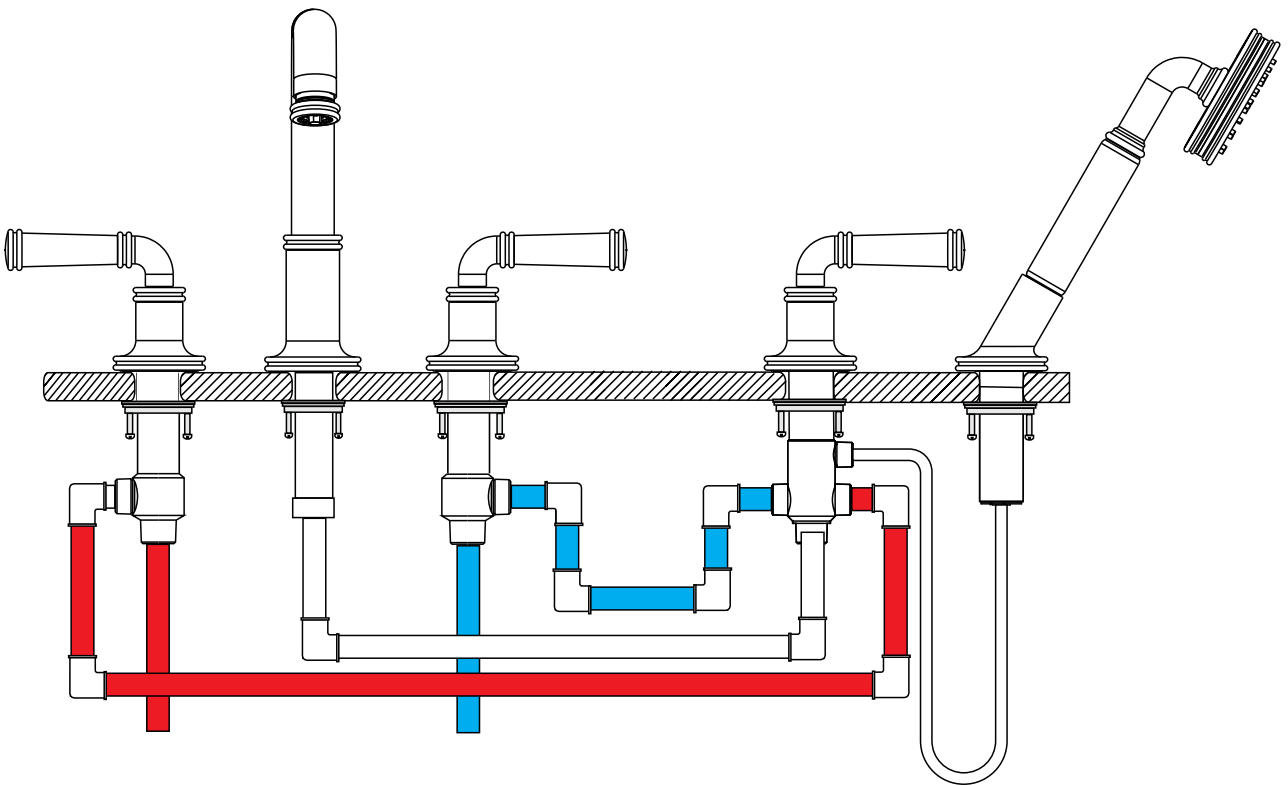
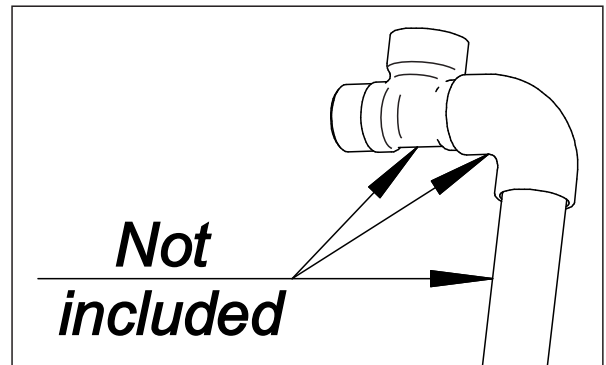
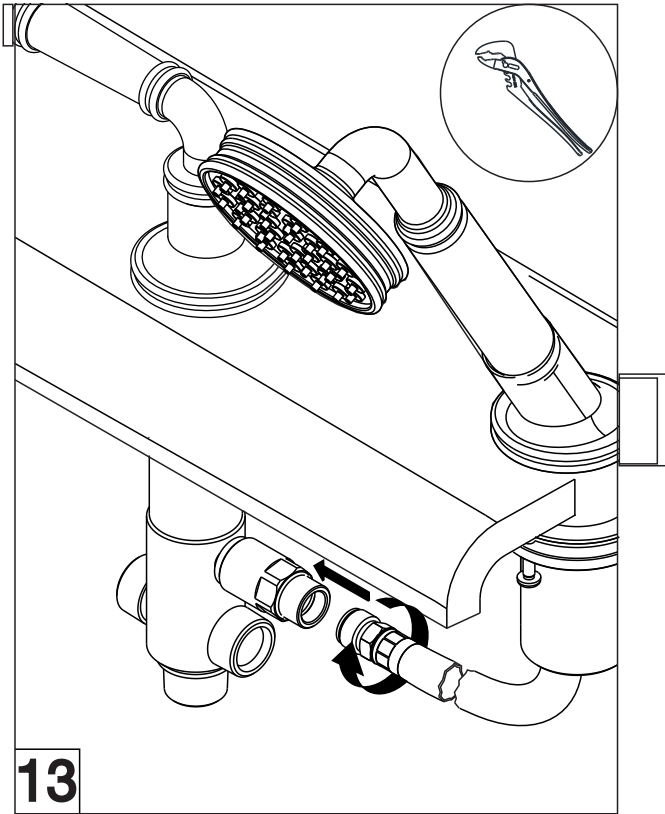
### Measures / Medidas

















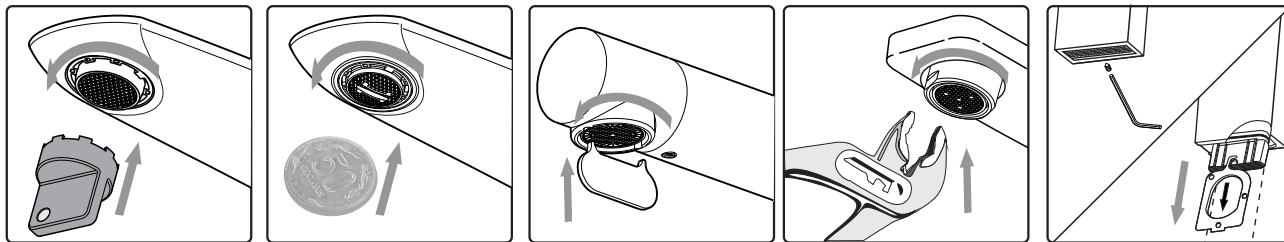




*Finished installation*



## Aerator cleaning



Place the corresponding tool according to the type of aerator you have and remove it. Wash it under a stream of water. If there is any sediment, place it in a glass of vinegar during the night. Put it back the next day.



**Attention! Do not use sharp objects to unblock the aerator**

### PRODUCT WARRANTY

Franz Viegener's *Limited Lifetime Warranty* insures that their products are free from defects in material and workmanship. This warranty is provided only to the original consumer/purchaser for the duration of home ownership.

Excluded from this warranty are parts made of wood or other non-metallic material, and all drain assembly finishes. Oil rubbed bronze, matte white and matte black have 2 years limited warranty from the date of purchase.

Any damage due to improper installation, abuse, misuse or accident will void this warranty.

Cleaning faucets with abrasive or chemical cleaners will void the finish warranty.

Warranty will be honored to original consumer/purchaser with proof of purchase/dated receipt.

If a defect is found under normal residential installation, we will, at our discretion either repair, provide a replacement part, replace the entire product, or make the appropriate adjustment.

Franz Viegener is not responsible for labor charges, installation, or other consequential costs. In no event shall the responsibility of Franz Viegener exceed the purchase price of the product.

*Non-Residential Warranty* - Limited to 3 years for material and workmanship, 1 year warranty on oil rubbed bronze, matte black and matte white finishes. With proper care, your Franz Viegener product will keep its attractive appearance for many years. To assure the product continues to look its best, we recommend using the following care and cleaning procedures.

All finishes should be cleaned regularly with a clean, soft, damp cloth to remove water spots. This will keep mineral deposits from building up on the surface. Do not use abrasive cleaners, scouring pads, or cleaners containing ammonia or bleach.

CHROME FINISH - never use products containing chloride acid.

PVD FINISHES - never use Scotch Brand type scouring pads, nor products containing chloride acid.

POWDER COAT FINISHES - never use abrasives, alcohol, ether or ammonia products.

IMPLIED WARRANTIES, INCLUDING THOSE OF MERCHANTABILITY AND FITNESS FOR A PARTICULAR USE, ARE EXPRESSLY LIMITED IN DURATION TO THE DURATION OF WARRANTY. FRANZ VIEGENER AND/OR RESELLER DISCLAIMS ANY RESPONSIBILITY FOR SPECIAL, INCIDENTAL OR CONSEQUENTIAL DAMAGES.



**FRANZ VIEGENER Customer Service Department (800) 446-9700**

Phone 847-244-3837 / Fax 847-249-4049 - [info@franzviegenger.com](mailto:info@franzviegenger.com)

4000 Porett Drive - Gurnee, IL, 60031-USA.

Follow us on social media!



Scan the code to get more information about this line.

[www.franzviegenger.com](http://www.franzviegenger.com)