

# LENOVA

4580 W Roosevelt Rd Hillside, IL 60162 [www.Lenovasinks.com](http://www.Lenovasinks.com) Phone: 877-733-1098

## Special Design Patent “PermaClean Drain System”

### SPECIFICATIONS

### MODEL PC-SS-12Ri-D1

#### GENERAL

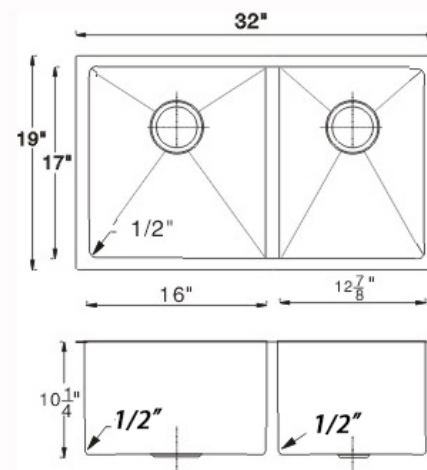
Fine quality sink formed of heavy duty 16 gauge, type 304 nickel bearing stainless steel.

#### DESIGN FEATURES

Bowl depth 10” with inside bowl dimensions 17” X16” and 13” x 16” and over all 33” X 19” **Finish:**

Inside bowl surfaces polished to a uniform satin finish.

**Underside:** High density sound absorption pads covered with a thick rubberized insulation layer on all bottom surfaces.



**CUPC certified**

Minimum cabinet size 33”

Product shall be specified as PC-SS-12Ri-D1

#### ACCESSORIES:

**The complete PermaClean Drain kits come with the sink for free.**

#### OPTIONAL ACCESSORIES:

Stainless Steel Grids: G0D1B (Big Bowl) and G0D1S (Small Bowl)

#### Note:

The sink fits almost all the garbage disposal on the market.