

S H E R L E



W A G N E R
INTERNATIONAL

INSTALLATION GUIDE

BATH ACCESSORIES



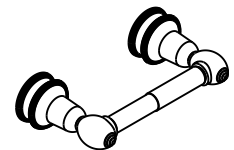
**SOAPDISH/TUMBLE
HOLDER**



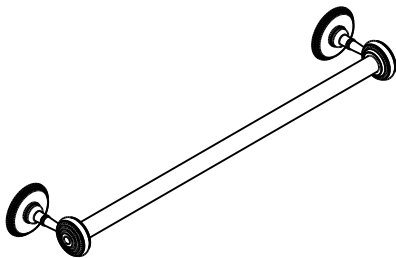
TOWEL RING



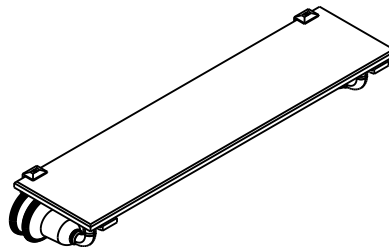
**SINGLE POST
PAPER HOLDER**



**DOUBLE POST
PAPER HOLDER**



TOWEL BAR

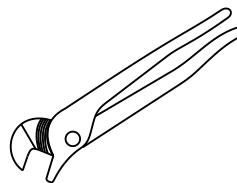
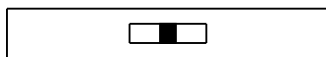


SHELF

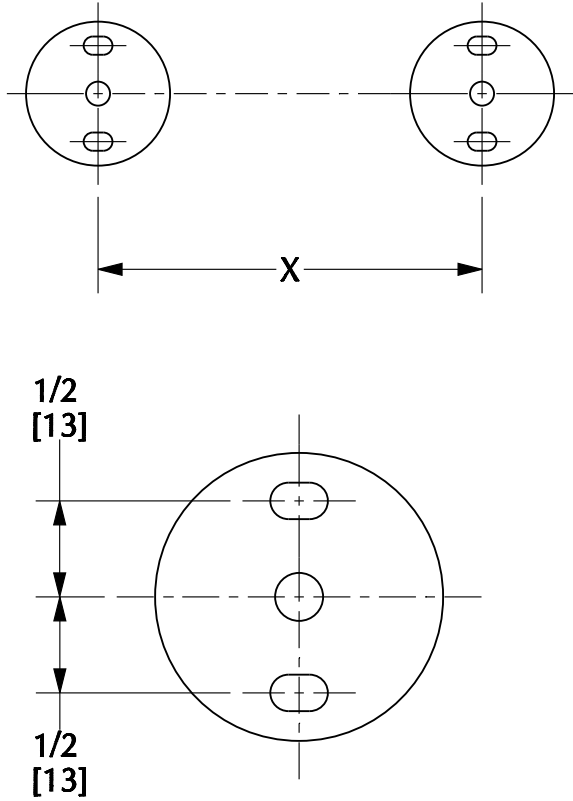


HOOK

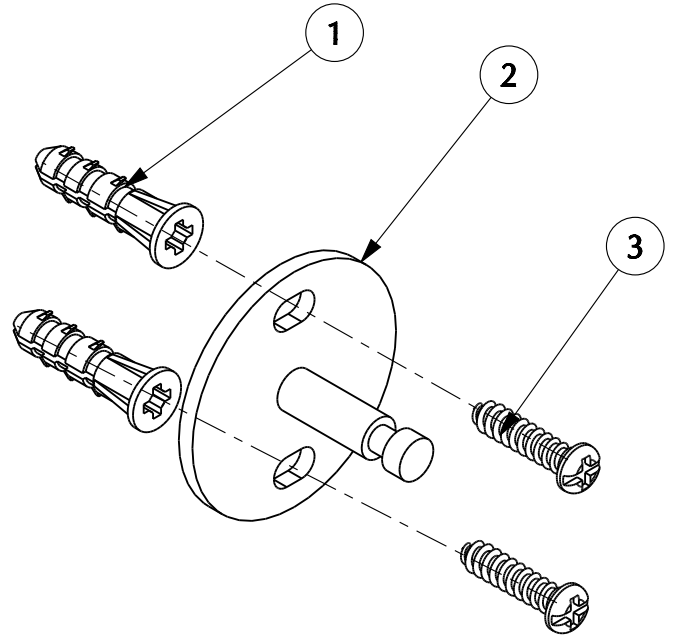
Installation tools that may be needed:



1



2



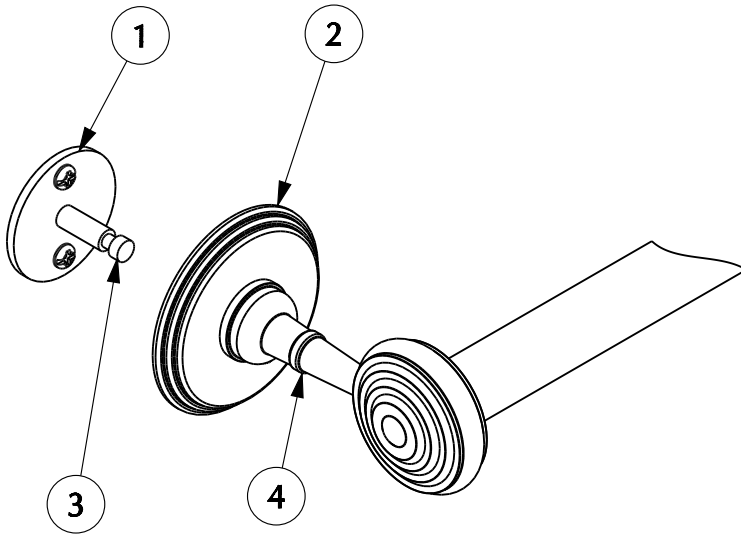
1. For double post accessories, measure centerline to centerline distance of brackets per dimension X in below chart using a level. For single post accessories, go to next step.
2. Mark location of screw holes on wall relative to mounting holes of bracket.
3. Using a drill bit slightly smaller than supplied screws, drill pilot holes at marked bracket location(s).

X=	18-1/8" [460mm]	FOR 18" TOWEL BAR/SHELF
	24-1/8" [613mm]	FOR 24" TOWEL BAR/SHELF
	30-1/8" [765mm]	FOR 30" TOWEL BAR/SHELF

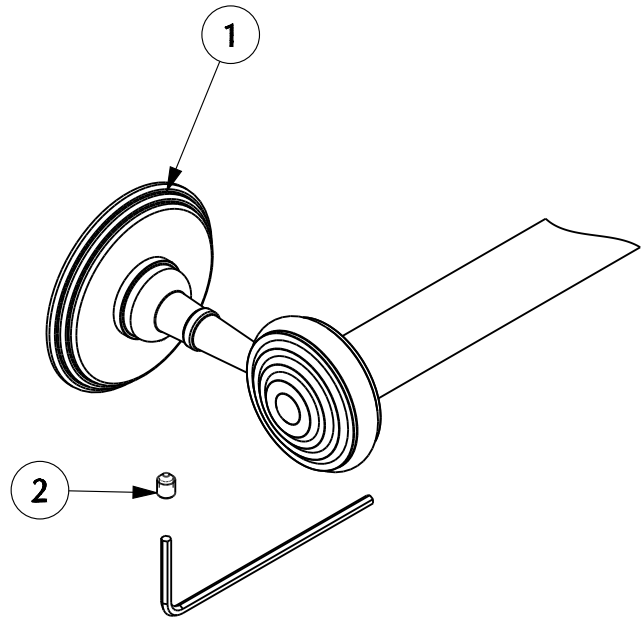
1. For sheet rock, plaster or other non-rigid material, press supplied wall anchors (1) into pilot holes. For mounting directly into wall stud, no anchor is necessary.
2. Secure mounting plate (2) to wall using screws (3).

NOTE:
DO NOT TIGHTEN SCREWS ALL THE WAY FOR DOUBLE POST ACCESSORIES AS ADJUSTMENT MAY BE NECESSARY.

3



4



1. Slide accessory assembly (2) over mounting plate (1). Make sure mounting post (3) is inserted into post (4) and assembly is oriented correctly.
2. Remove accessory assembly (2) from mounting plate (1) and tighten screws on mounting plate.

1. Mount accessory assembly (1) onto mounting plate and hold tightly against wall while securing assembly with set screw (2).

Bath Accessories Parts List

Item	Part Number	Description
1	11903	Wall Anchors
2	*	Mounting Bracket
3	13185**	Wall Screws
4	10734	Mounting Set Screw & Wrench

* Contact Sherle Wagner Sales Representative

** For Harrison & Grey Accessories use 13183

